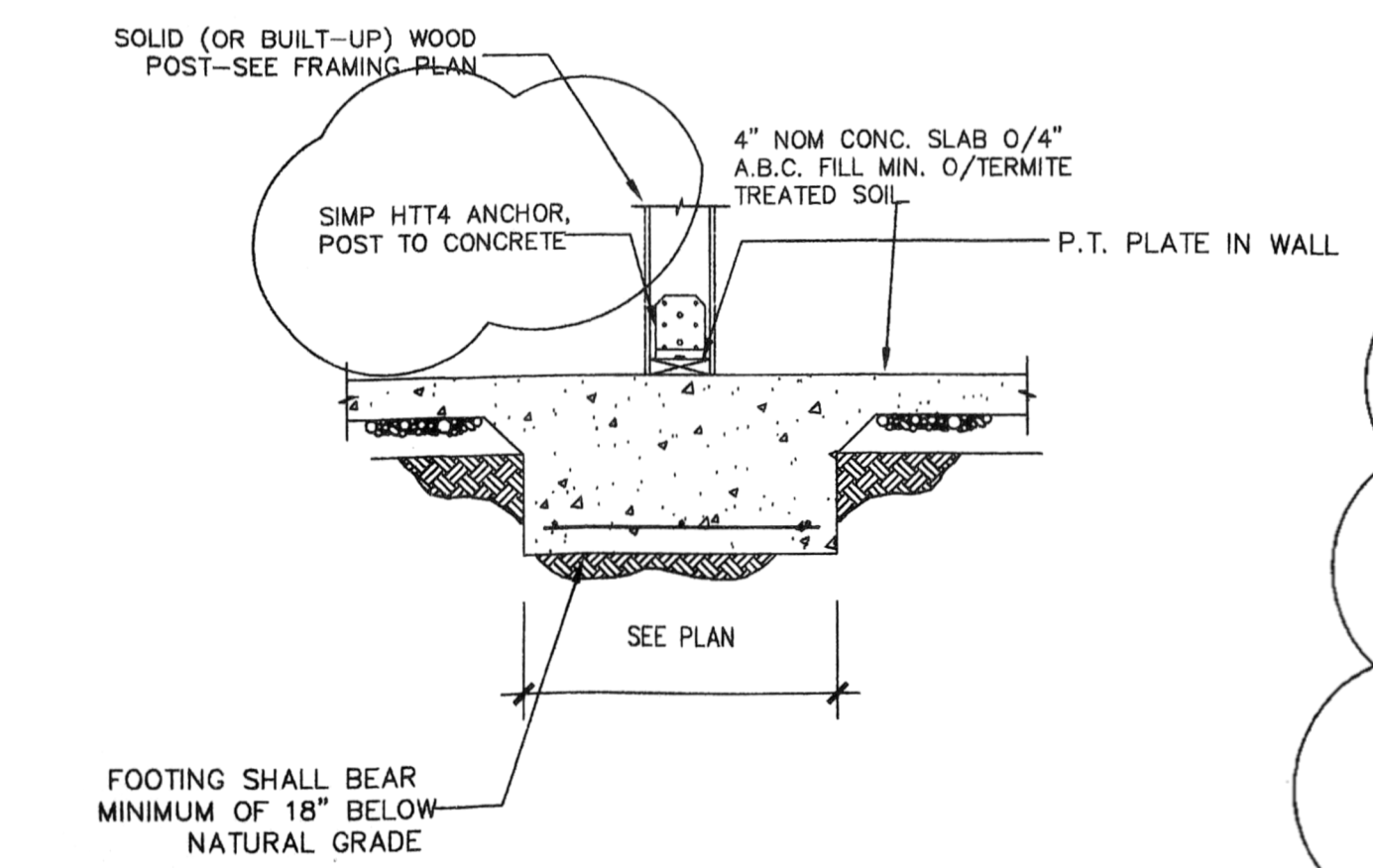
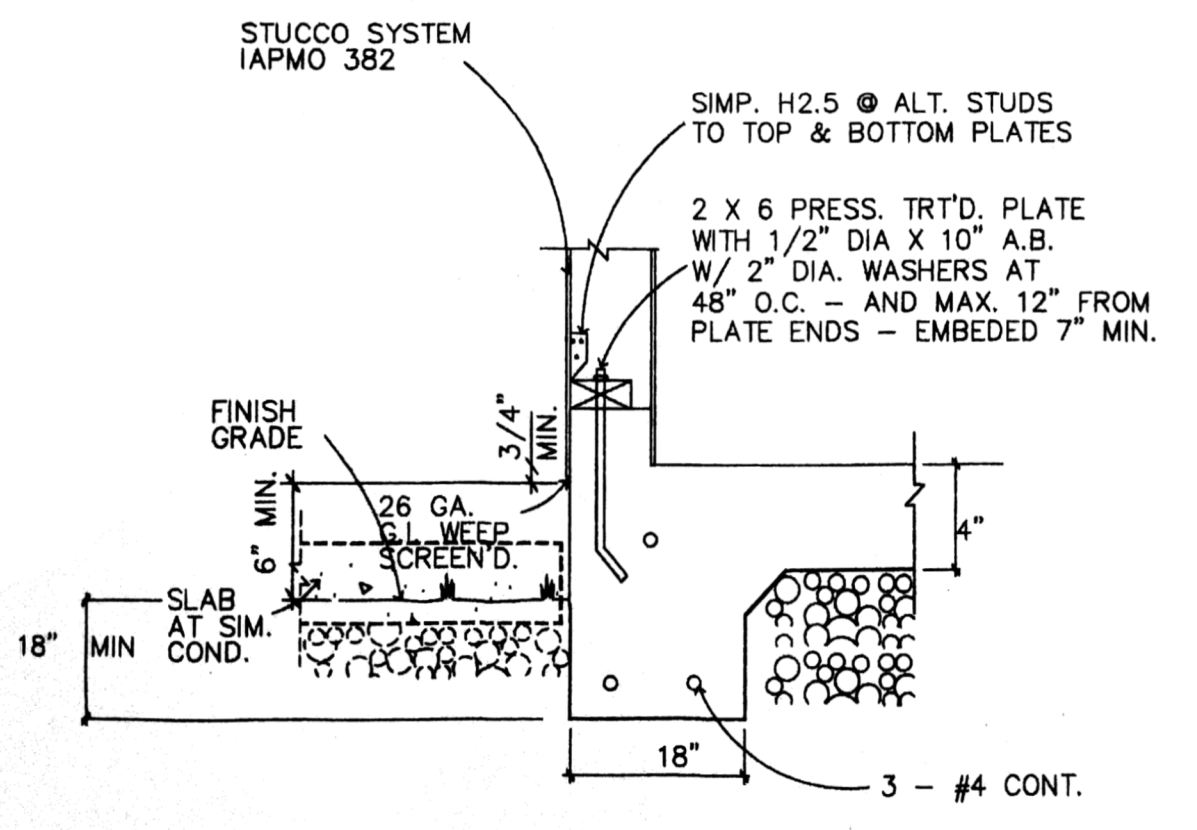


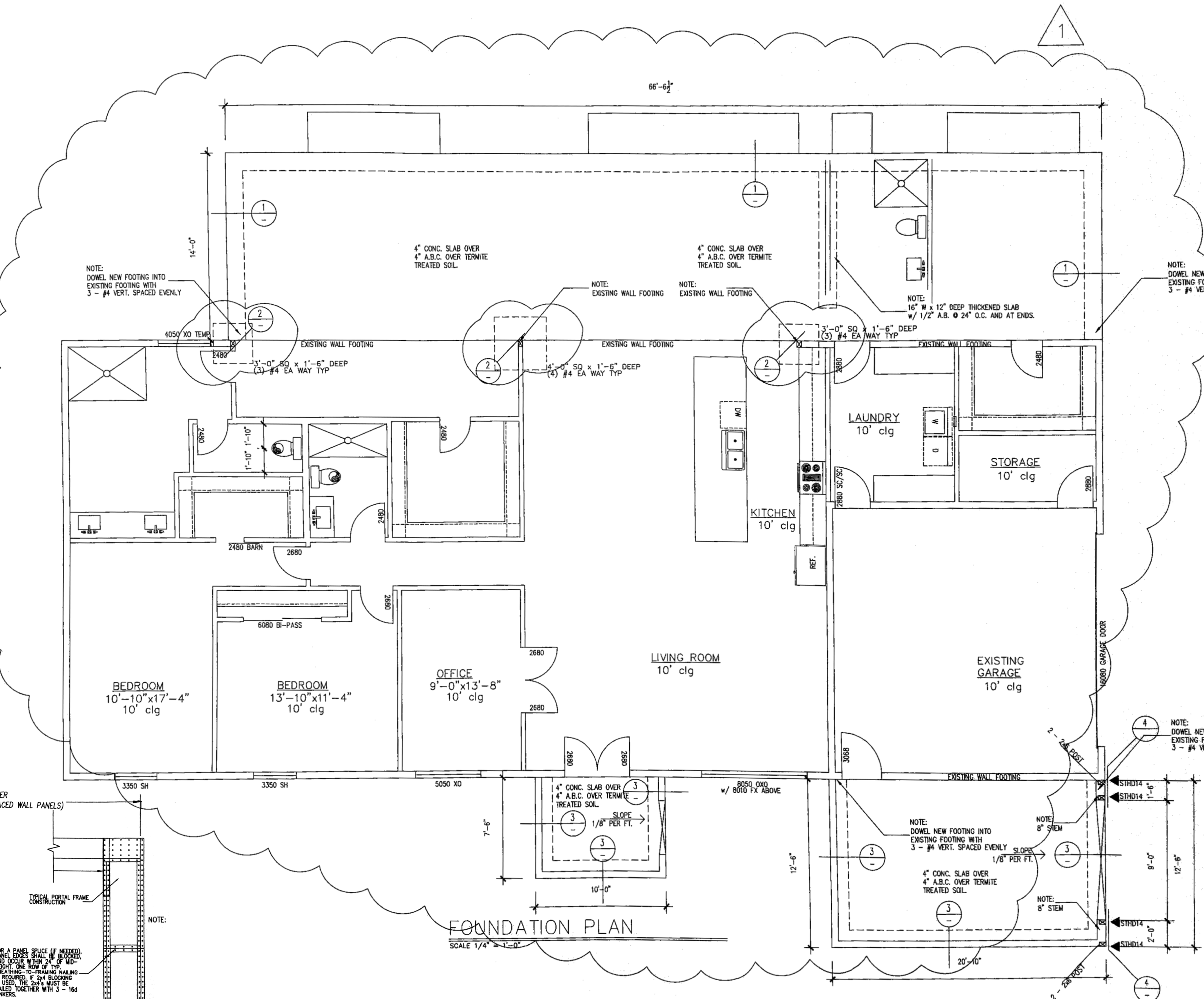
1 EXTERIOR WALL FOOTING
SCALE: 3/4"=1'-0"



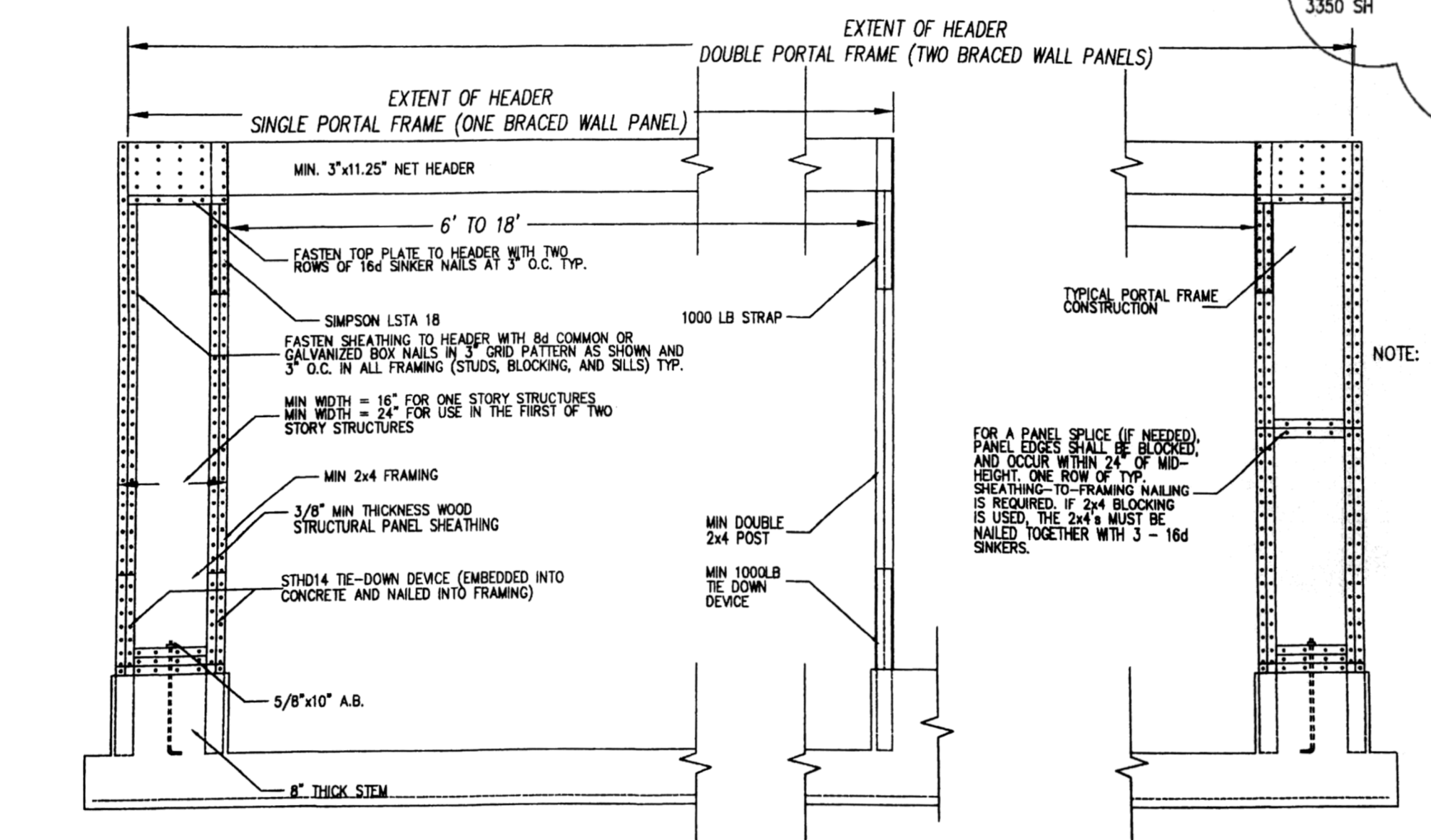
2 POST FOOTING
SCALE: 3/4"=1'-0"



3 EXTERIOR WALL FOOTING AT GARAGE
SCALE: 3/4"=1'-0"



FOUNDATION PLAN
SCALE: 1/4"=1'-0"



4 WALL PORTAL
SCALE: 1/4"=1'-0"
N.T.S.

NOTE:
CONTRACTOR/OWNER TO VERIFY ALL DIMENSIONS, EXISTING CONDITIONS, AND CONSTRUCTION DOCUMENTS FOR DISCREPANCIES PRIOR TO START OF WORK. ANY DISCREPANCIES SHALL BE BROUGHT TO THE ATTENTION OF THE DESIGNER PRIOR TO THE START OF WORK.

CORNERSTONE DESIGN
MESA, ARIZONA
PHONE: (602) 885-5324
E-MAIL: rdc@cornerstone.com

CACTUS ADDITION/REMODEL
8417 E. CACTUS ROAD
SCOTTSDALE, ARIZONA 85260

FOUNDATION PLAN

REVISIONS

NO.	DATE	DESCRIPTION
1	03/05/20	CITY COMMENTS
2		
3		
4		

DATE: 03/05/20
DRAWN BY:
CHECKED BY:
JOB #:
SIX PLAN:
DRAWING NO. A-3
SHEET 3 OF 7