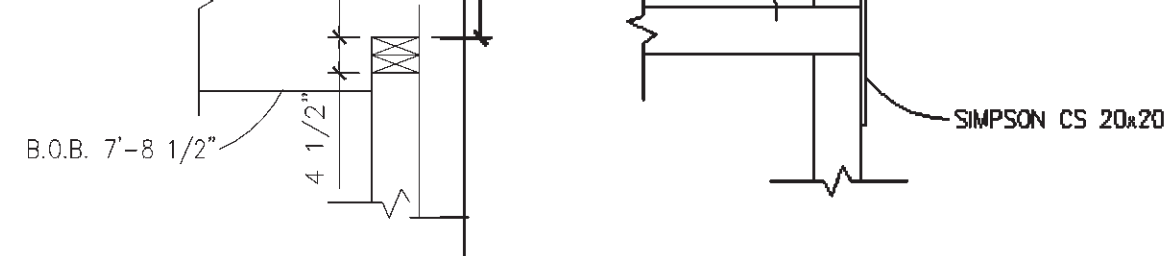
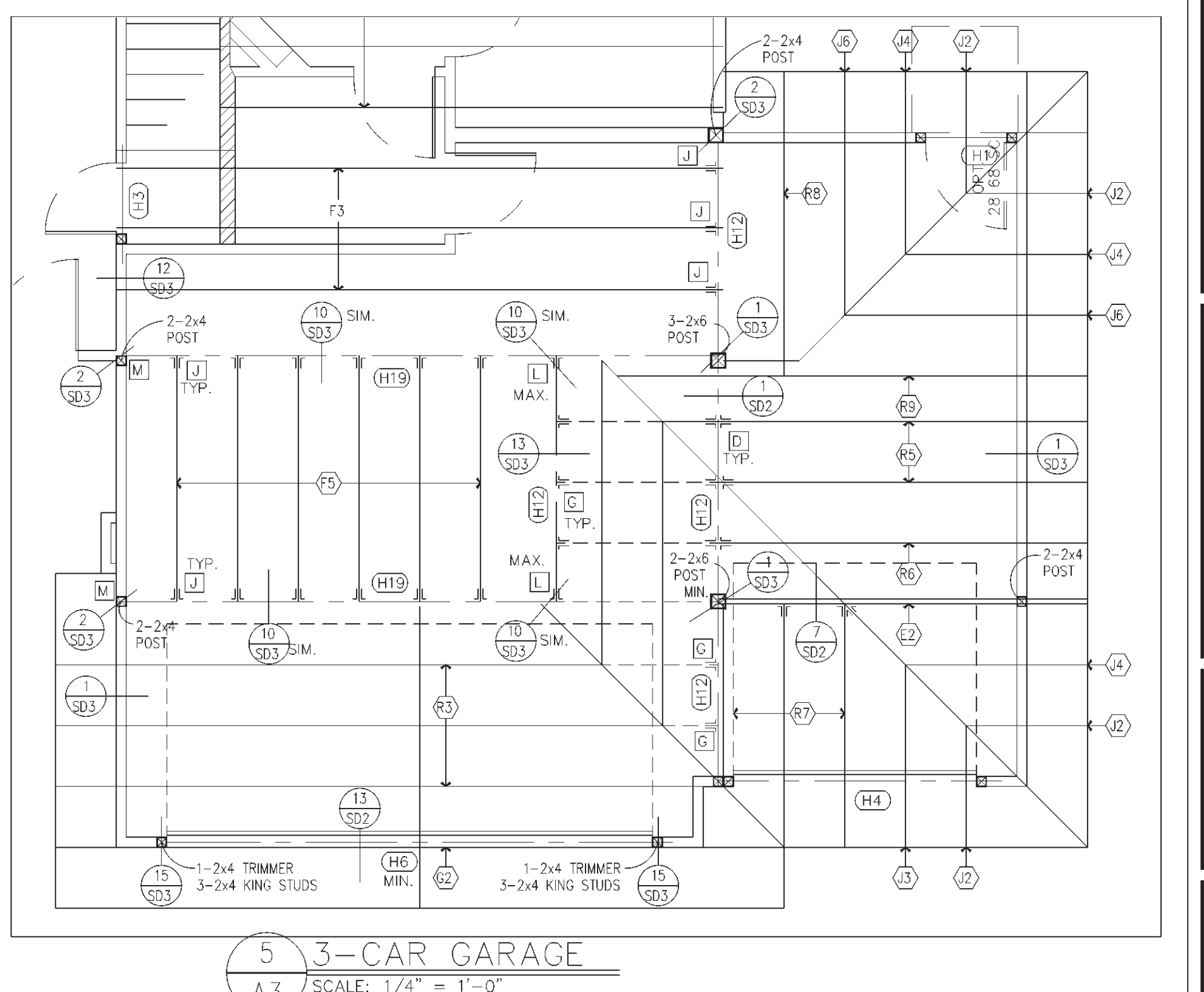
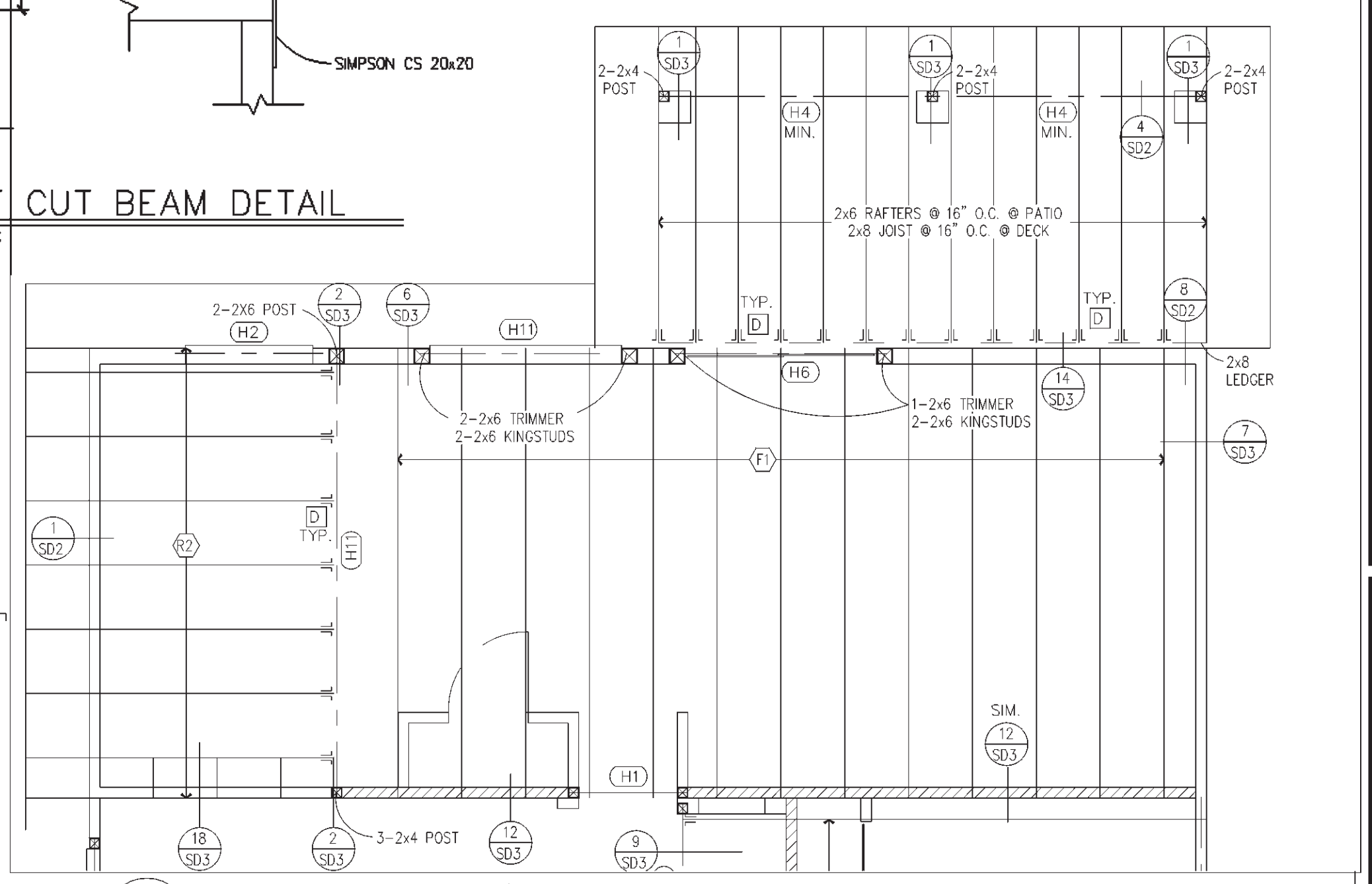


TRUSS KEY		HANGER SCHEDULE		GENERAL INFORMATION	
(G1)	PRE-FAB GABLE END TRUSS - SEE TRUSS CALC'S FOR COINCIDING INFORMATION	A	SIMPSON A35 OR A35F @ 24" O.C.	1. REFER TO GENERAL NOTES (SHEET G1) AND FLOOR PLAN (SHEET A2) FOR ADDITIONAL INFORMATION. 2. USE SIMPSON H2.5 @ EA. TRUSS/JOIST AND EVERY OTHER STUD. IF SPAN EXCEEDS 22'-0" AT UNCLOSED AREAS AND GARAGES, USE ONE ANCHOR PER TRUSS/JOIST AND ONE ANCHOR PER STUD. FRAMING ANCHOR OF TYPE THAT ENGAGES BOTH PLATES. (FRAMING ANCHOR AT STUD MAY BE OMITTED IF PLYWOOD OR EQUAL SHEATHING IS USED WITH NAILS TO TOP PLATE, EXCEPT UNCLOSED AREAS AND GARAGE.) 3. ALL TRUSSES TO BE DESIGNED AND MFG'D BY AN ARIZONA APPROVED FABRICATOR. TRUSS CALCULATIONS SHALL BE MADE AVAILABLE AT TIME OF INSPECTION. 4. PROVIDE ALL BLOCKING AND BRACING PER ALL APPLICABLE CODES AND/OR TRUSS MFG. SPECIFICATIONS - UNO	
(G2)	PRE-FAB GABLE END TRUSS - SEE TRUSS CALC'S FOR COINCIDING INFORMATION	B	SIMPSON LTHJ HANGER (OR EQUAL)		
(F1)	PRE-FAB FLOOR TRUSSES @ 24" O.C. - SEE TRUSS CALC'S FOR COINCIDING INFORMATION	C	SIMPSON THA29 (OR EQUAL)		
(F5)	PRE-FAB FLOOR TRUSSES @ 24" O.C. - SEE TRUSS CALC'S FOR COINCIDING INFORMATION	D	SIMPSON LUS24 (OR EQUAL)		
(H1)	PRE-FAB TRUSSES - SEE TRUSS CALC'S FOR COINCIDING INFORMATION	E	SIMPSON HU26-2 (OR EQUAL)		
(H2)	PRE-FAB TRUSSES - SEE TRUSS CALC'S FOR COINCIDING INFORMATION	F	SIMPSON TH4A26 (OR EQUAL)		
(H2)	PRE-FAB TRUSSES - SEE TRUSS CALC'S FOR COINCIDING INFORMATION	G	SIMPSON HUS26 (OR EQUAL)		
(J1)	PRE-FAB JACK TRUSSES @ 24" O.C. - SEE TRUSS CALC'S FOR COINCIDING INFORMATION	H	SIMPSON MST60 (OR EQUAL)		
(J6)	PRE-FAB JACK TRUSSES @ 24" O.C. - SEE TRUSS CALC'S FOR COINCIDING INFORMATION	I	SIMPSON U26 (OR EQUAL)		
(R1)	PRE-FAB COMMON TRUSSES @ 24" O.C. - SEE TRUSS CALC'S FOR COINCIDING INFORMATION	J	SIMPSON THA413 (OR EQUAL)		
(R9)	PRE-FAB COMMON TRUSSES @ 24" O.C. - SEE TRUSS CALC'S FOR COINCIDING INFORMATION	K	SIMPSON THA422 (OR EQUAL)		
		L	SIMPSON HUS212-2 (OR EQUAL)	HEADER SCHEDULE SYM. SIZE SYM. SIZE SYM. SIZE (H1) 2-2x6 (H8) 4x12 (H15) 3-1/8x16 GLB (H2) 2-2x8 (H9) 6x10 (H16) 5-1/8x12 GLB (H3) 3-2x6 (H10) 6x12 (H17) 5-1/8x13-1/2 GLB (H4) 2-2x10 (H11) 3-1/8x10-1/2 GLB (H18) 5-1/8x16 GLB (H5) 3-2x8 (H12) 3-1/8x12 GLB (H19) 5-1/8x16-1/2 GLB (H6) 2-2x12 (H13) 3-1/8x13-1/2 GLB (H20) 3-1/8x9 GLB (H7) 4x10 (H14) 3-1/8x14 GLB	



NOTICE:
EVEN THOUGH IT IS NOT REQUIRED BY ENGINEERING, THE FRAMER SHALL INSTALL 1x4 LET-IN BRACING. THE BRACING SHALL BE INSTALLED EACH WAY AT OR NEAR THE CORNERS OF EXTERIOR WALLS.

NOTICE:
EVEN THOUGH IT IS NOT REQUIRED BY ENGINEERING, IN ADDITION TO THOSE SPECIFIED ON THE ROOF FRAMING PLAN, THE FRAMER SHALL INSTALL SIMPSON DTC CLIPS AT ALL OTHER TRUSS/TOP PLATE CONDITIONS.



REPUBLIC HOMES, L.L.C.
25 N. GILBERT RD., SUITE 104
GILBERT, AZ 85234
PH. (602) 357-1858 FAX (602) 357-1859H. (480) 539-6485 FAX (480) 539-6485

The Tekton Komp
Architectural Drafting Services
8221 E. Coralbell Cir., Mesa, AZ 85208
PH. (602) 357-1858 FAX (602) 357-1859H. (480) 539-6485 FAX (480) 539-6485

PROJECT NO.: RH99-0504
DRAWN BY: S. PREUSS
DATE: 16 SEP 99
REVISIONS
Rev. DATE:
1
2
3
4

PLAN 2102

SHEET A-3