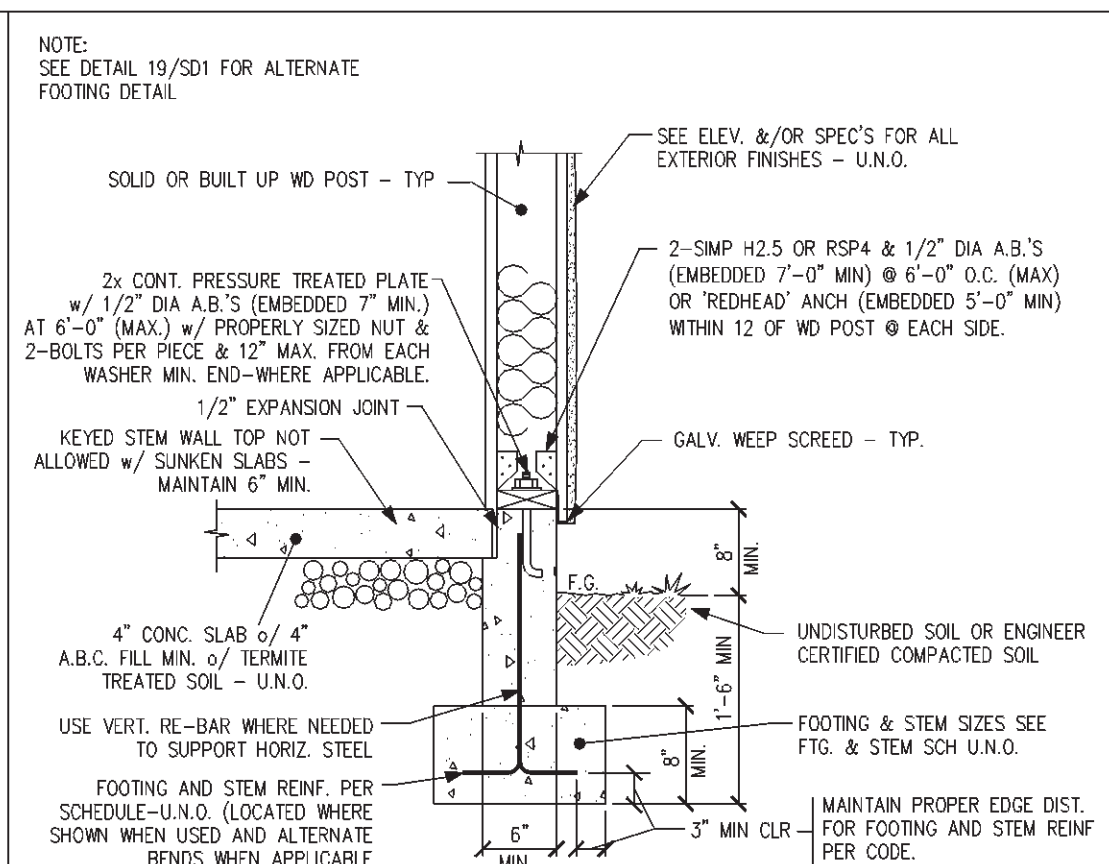
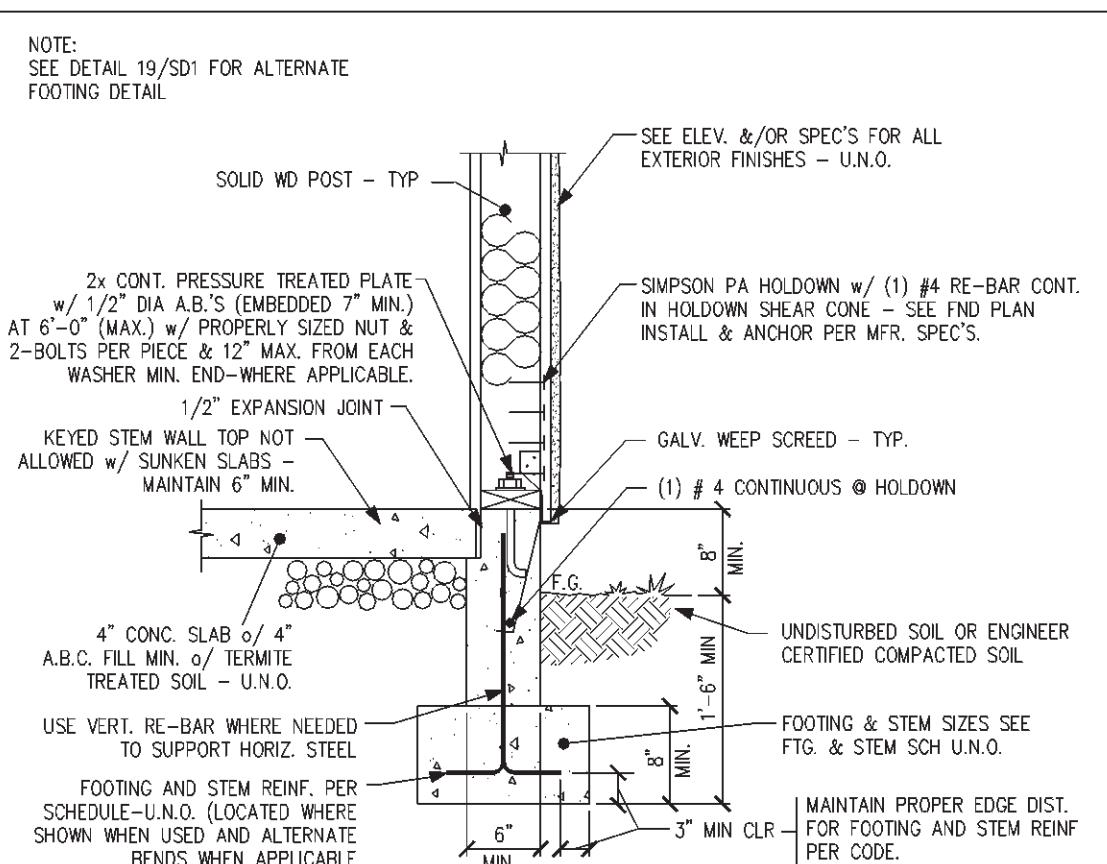


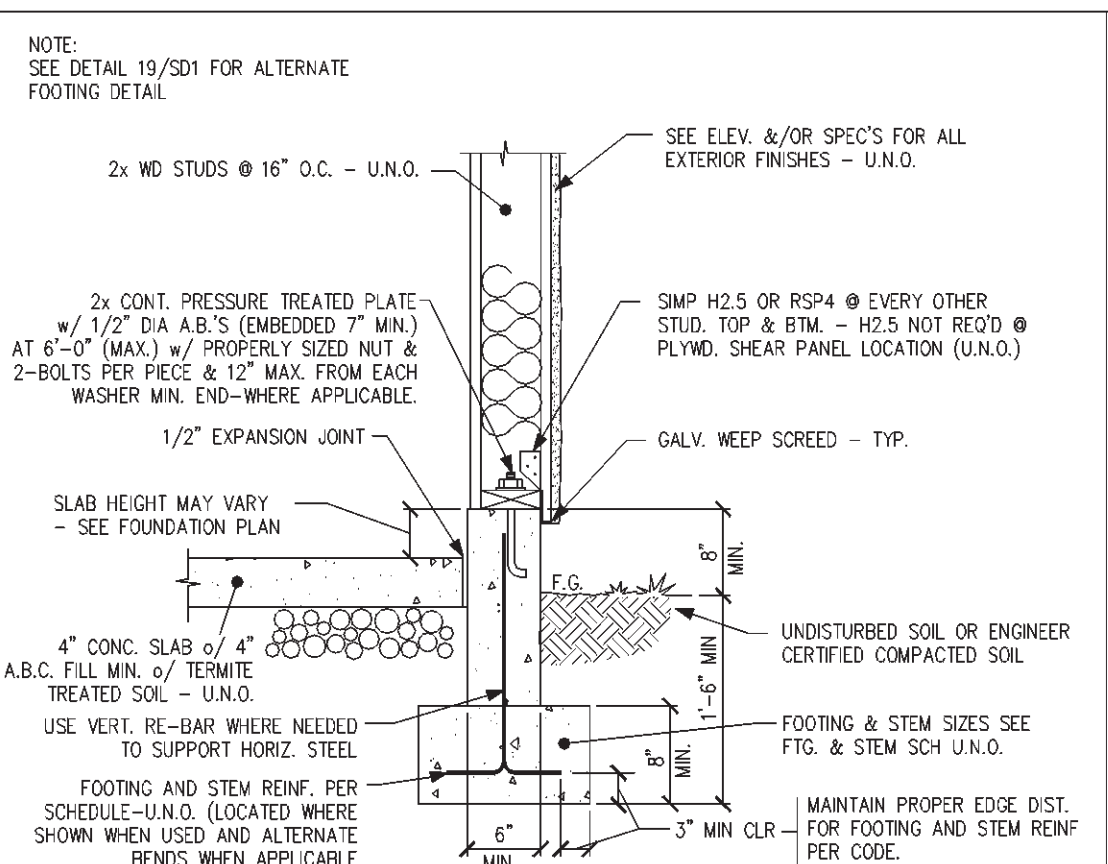
1 EXT. WALL / STEM / FTG.



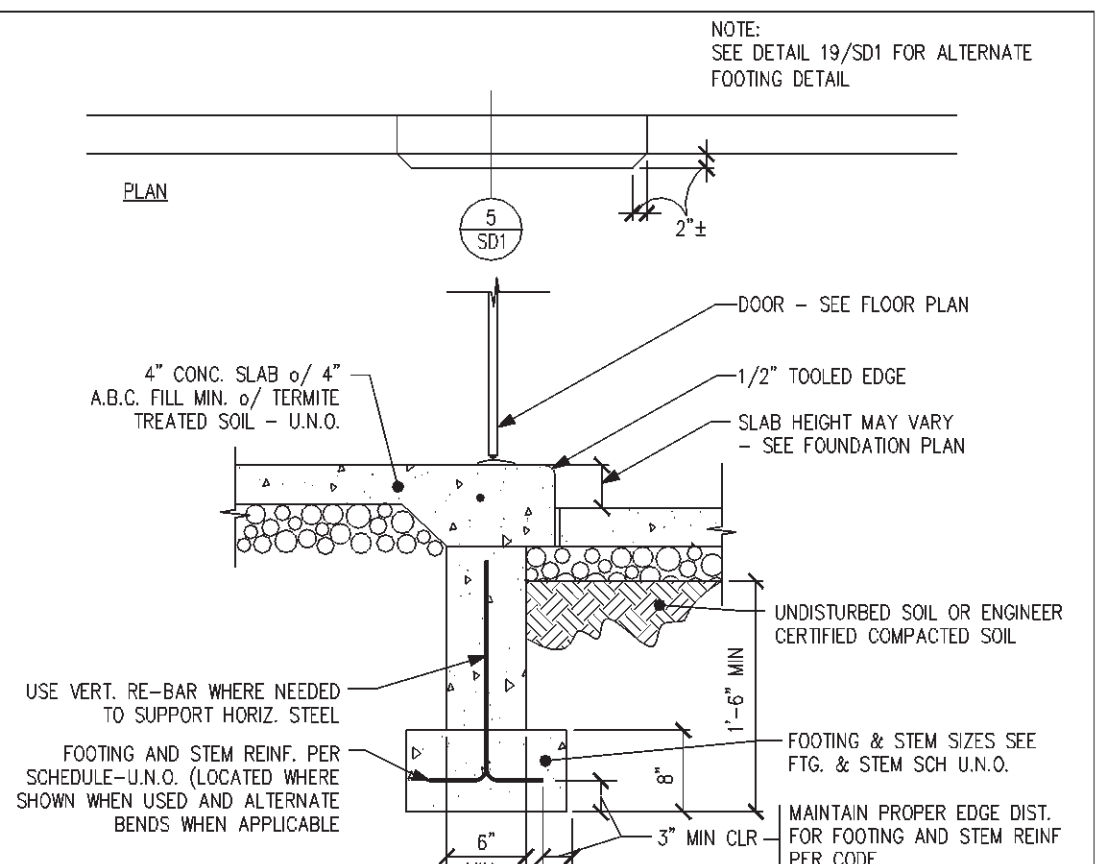
2 EXT. WALL/POST FTG.



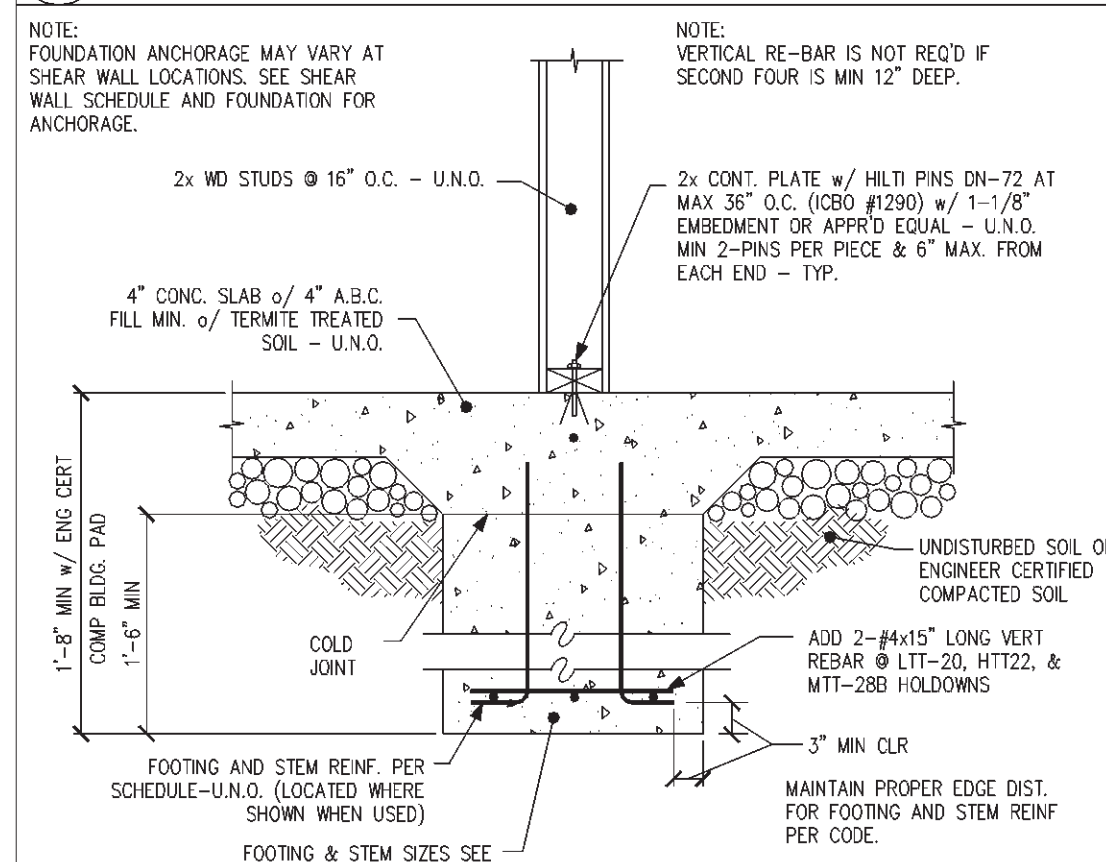
3 HOLDOWN AT EXT. WALL STEM WALL



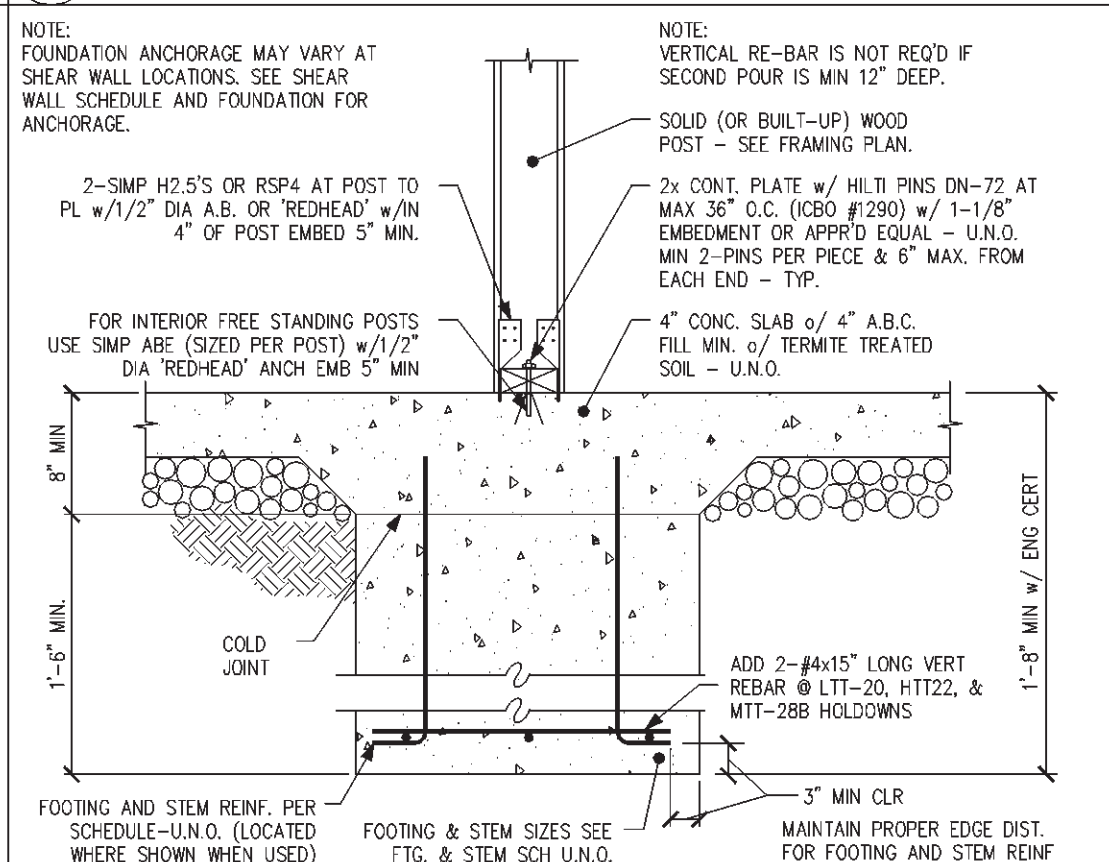
4 EXT. WALL / SUNKEN SLAB



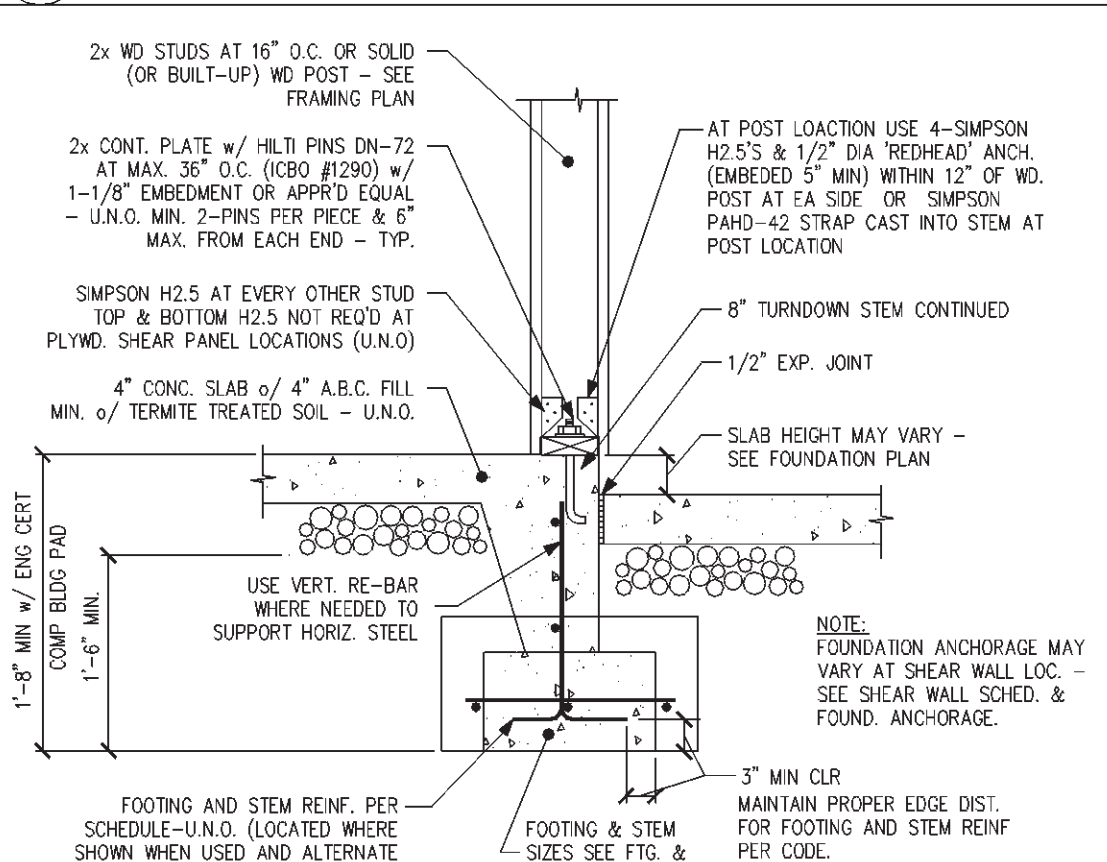
5 DEP. STEM @ OPEN'G



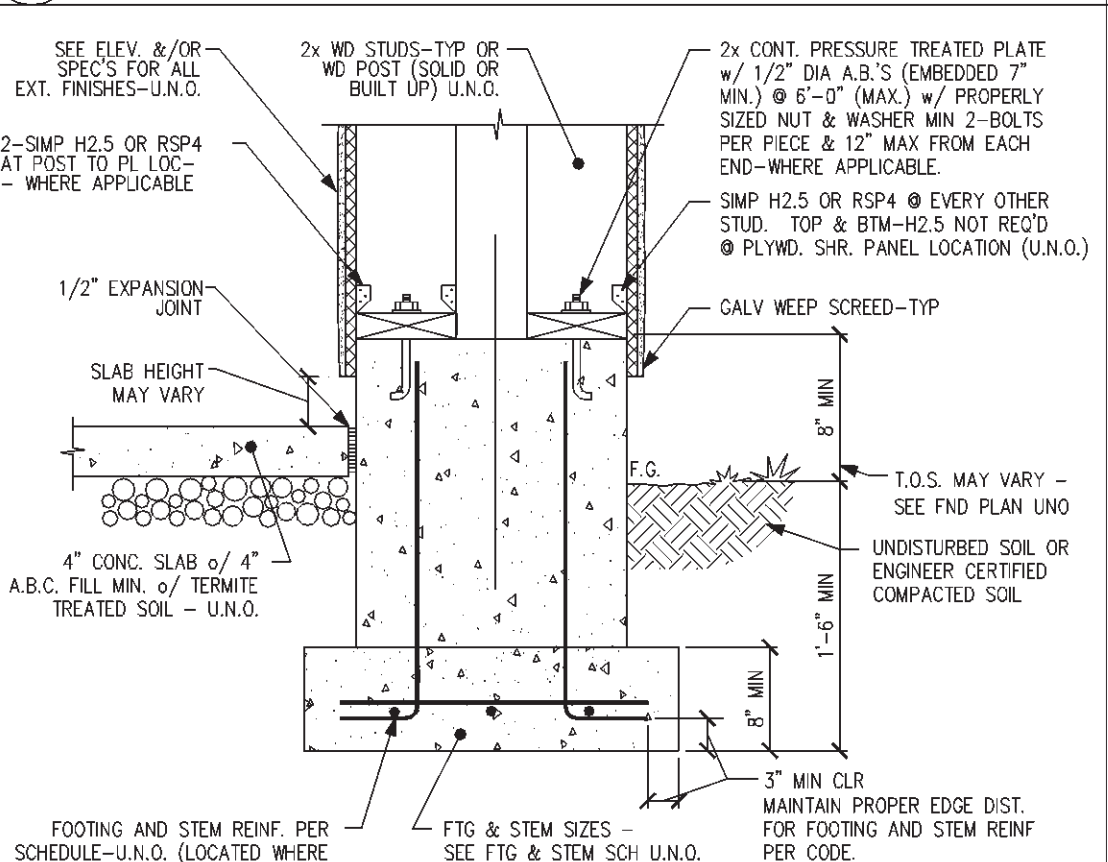
6 BRG. WALL MONO FOOTING



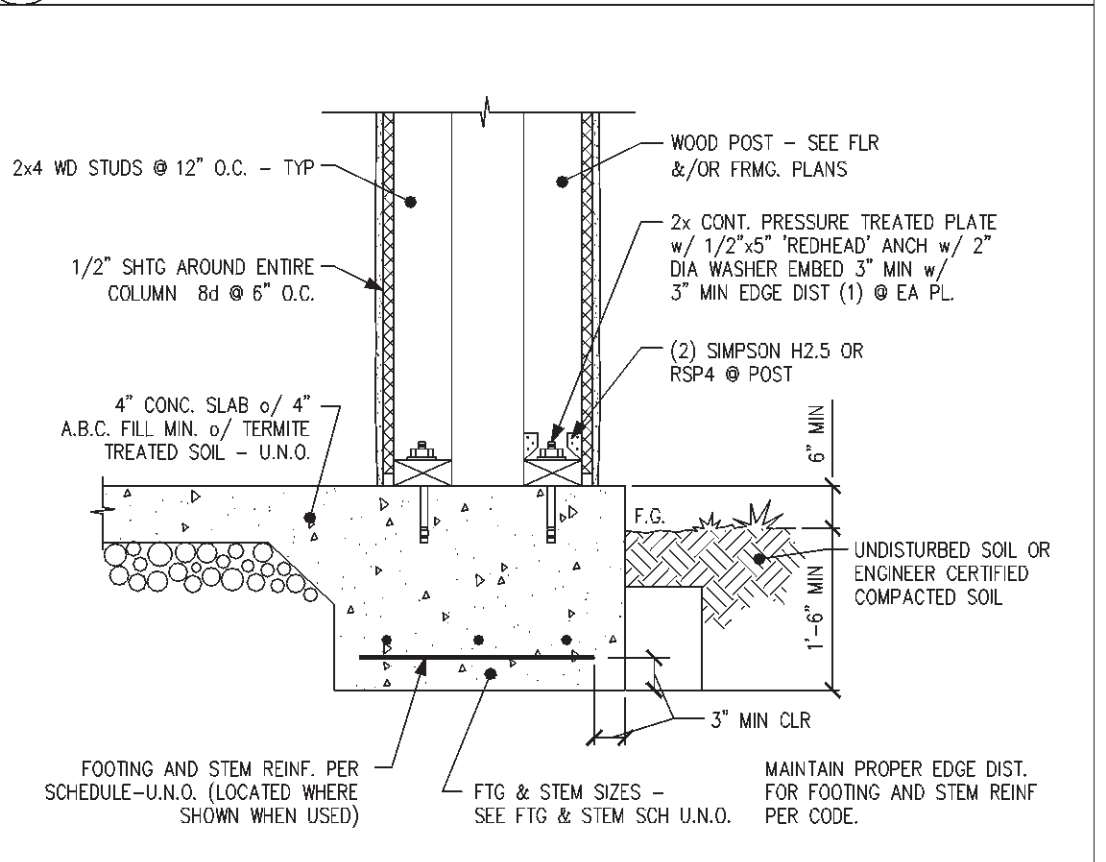
7 BRG. WALL-POST / MONO FOOTING



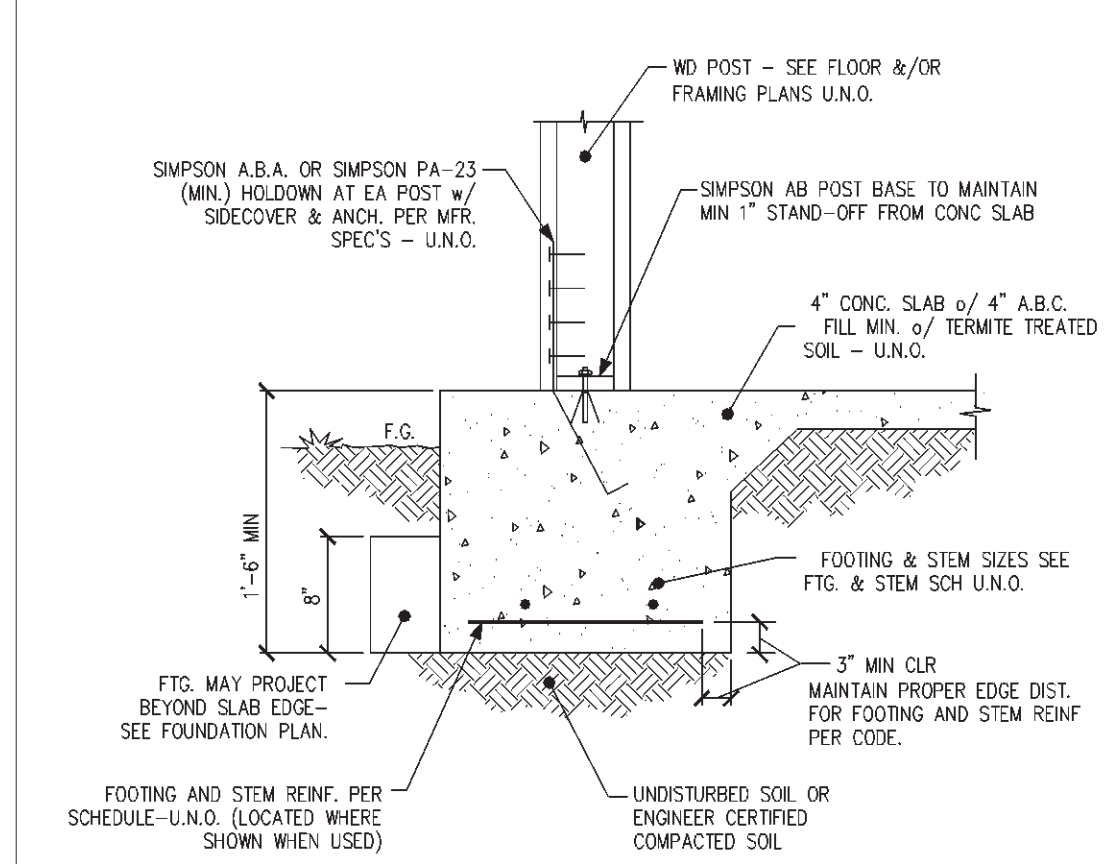
8 BRG. WALL / SUNKEN SLAB POST SIM.



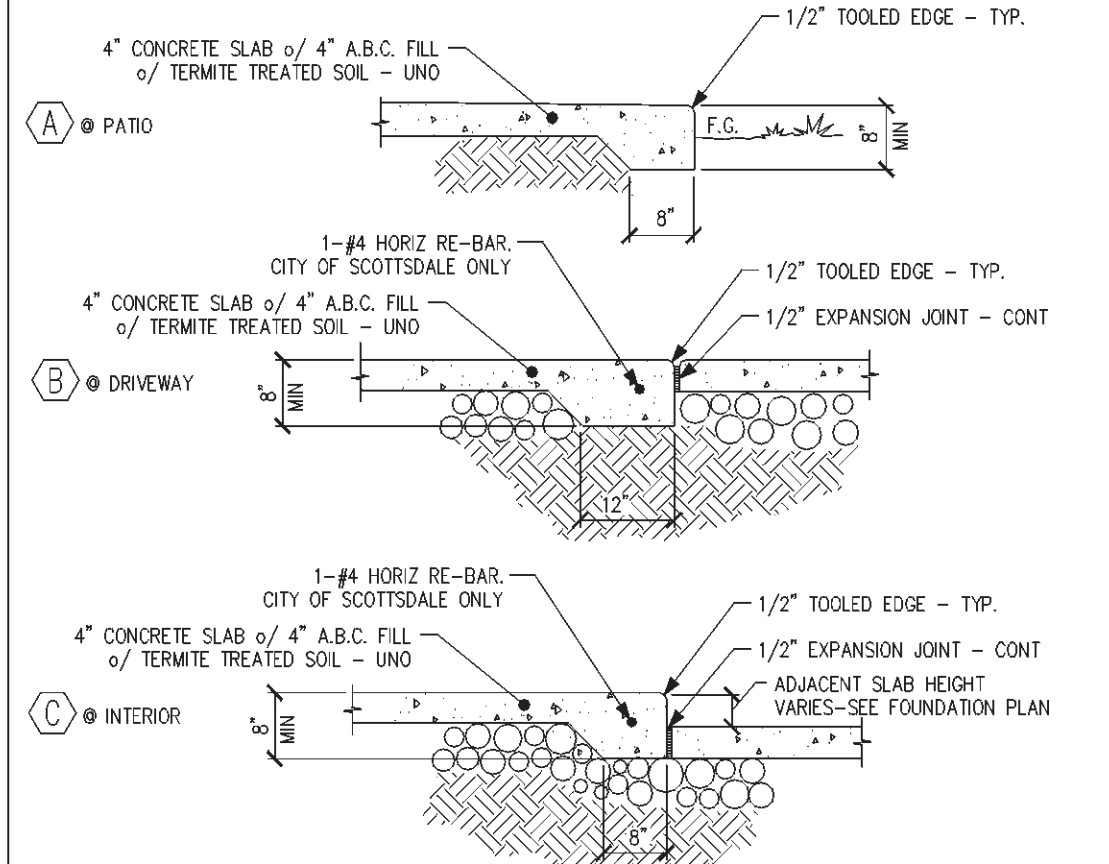
9 FRAMED COLUMN / FTG.



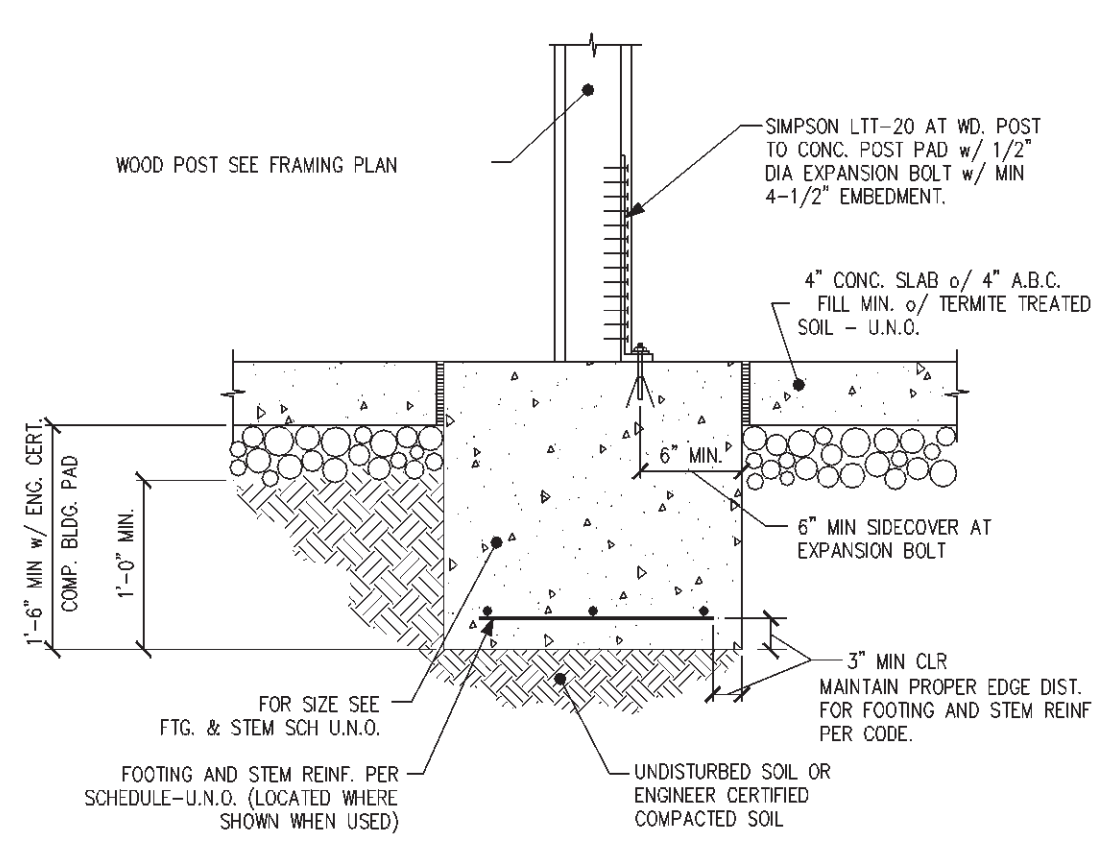
10 FRAMED COLUMN/PATIO SLAB



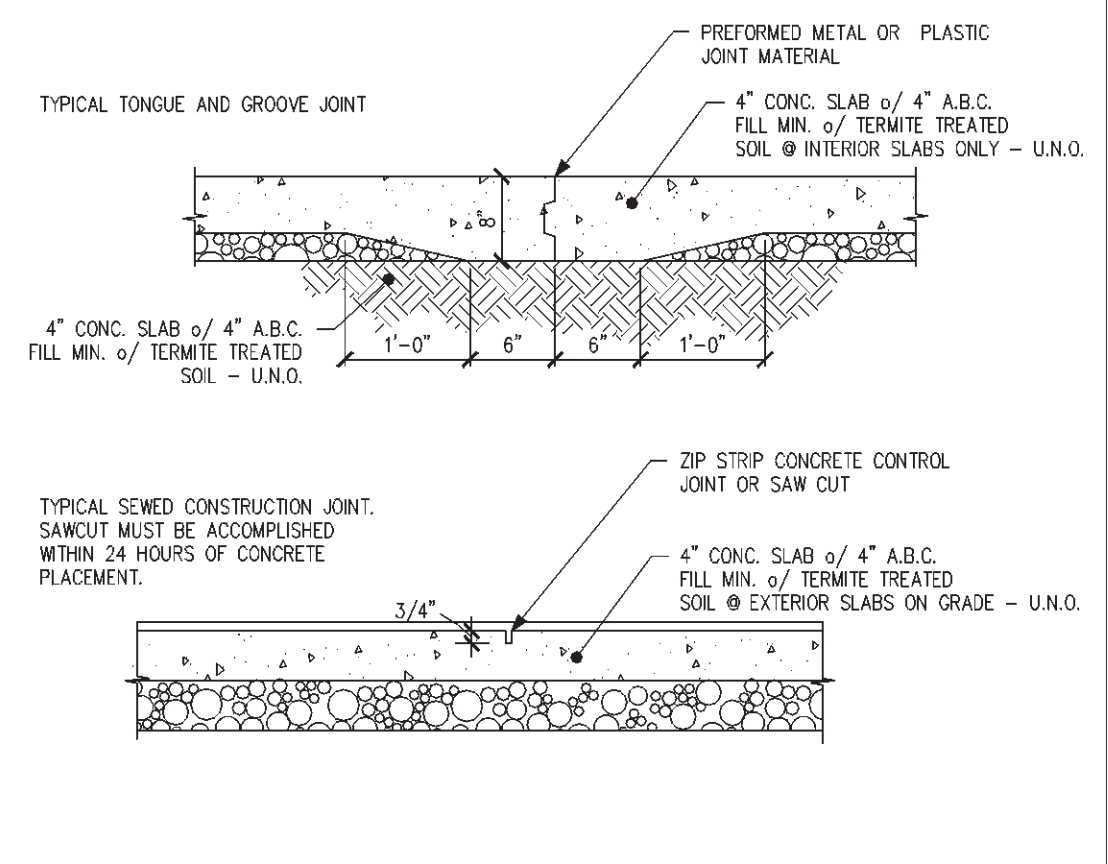
11 POST/PATIO SLAB



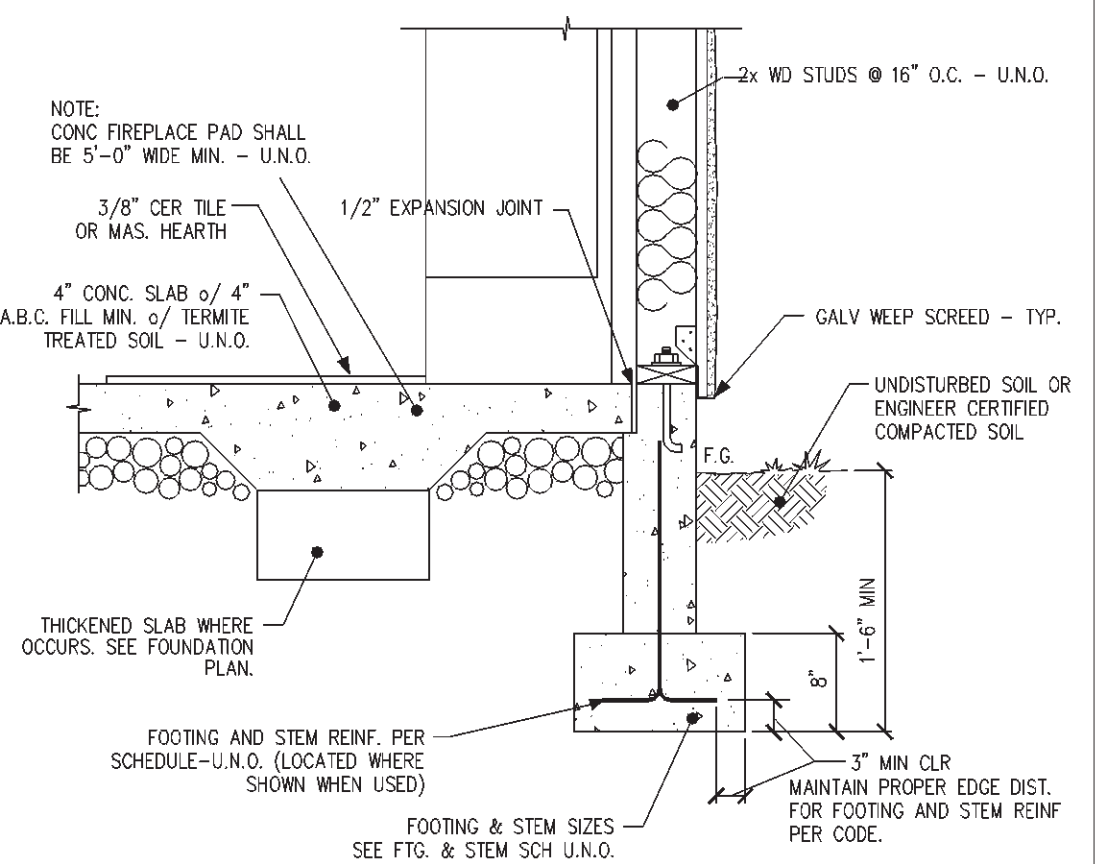
12 SLAB CONDITIONS



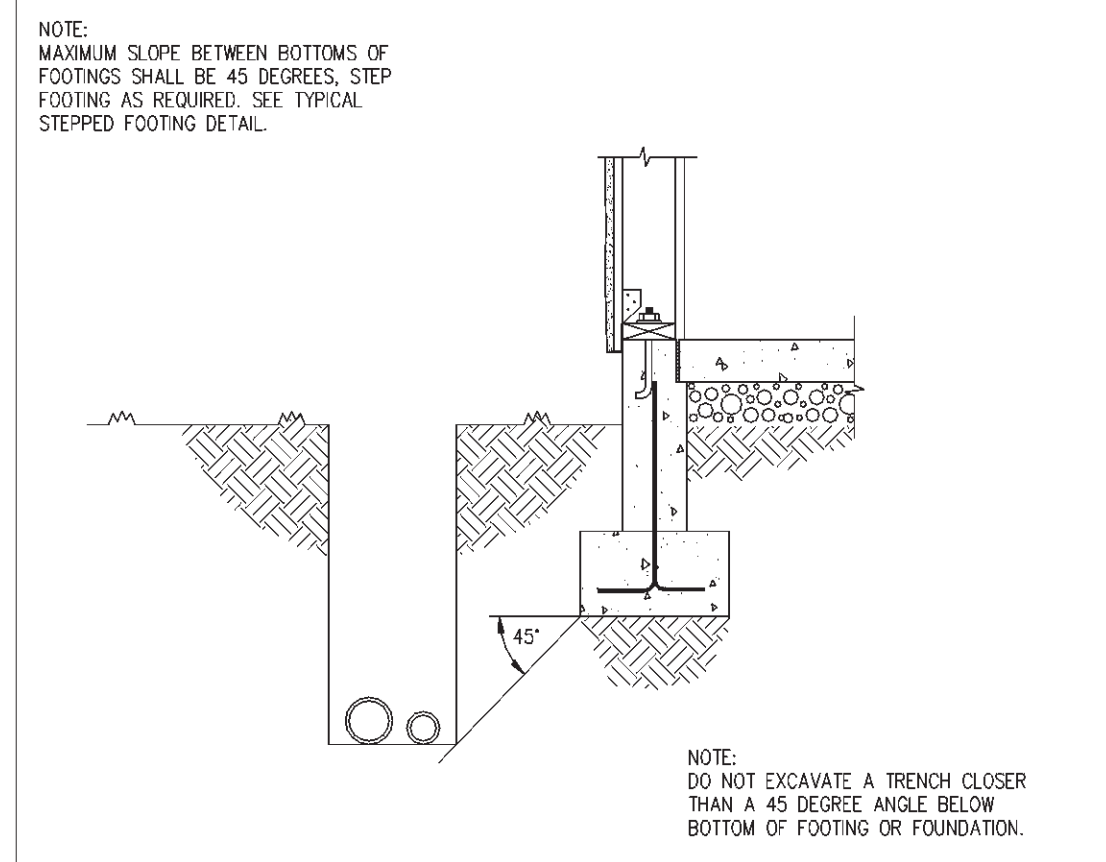
13 INTERIOR POST FOOTING



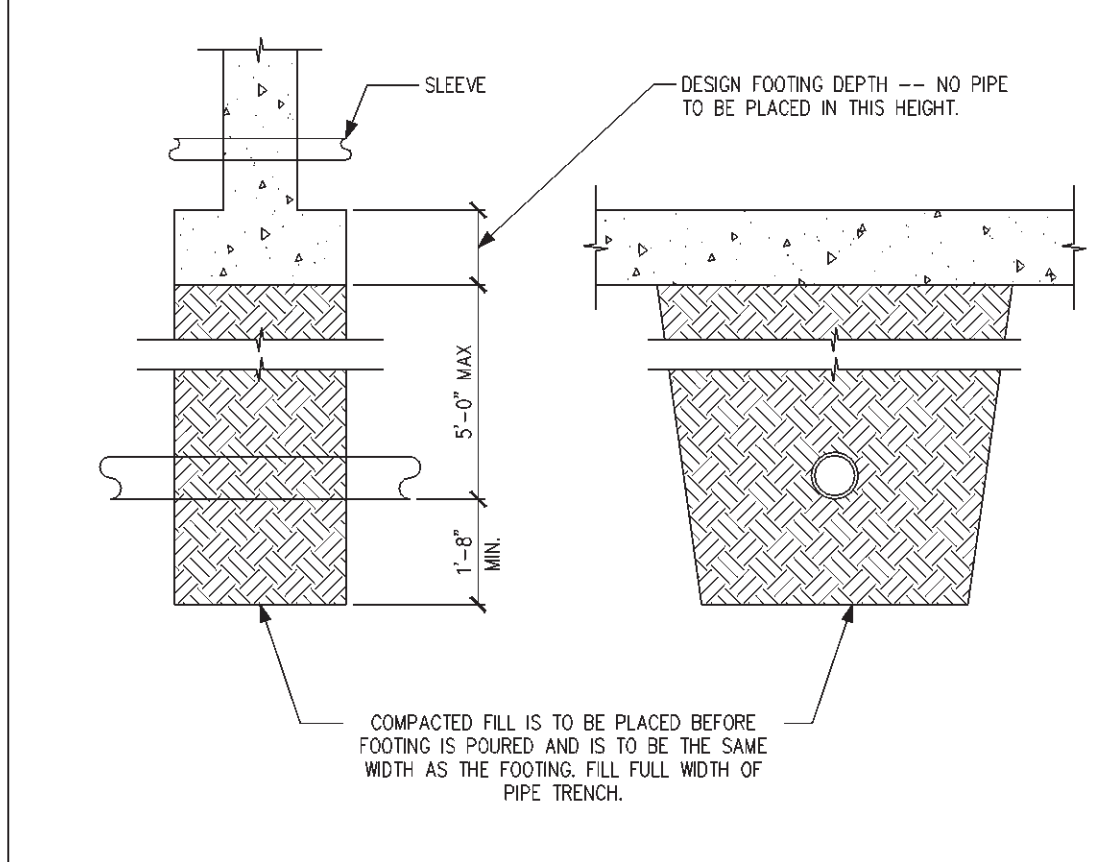
14 C.I.P. CONCRETE JOINTS



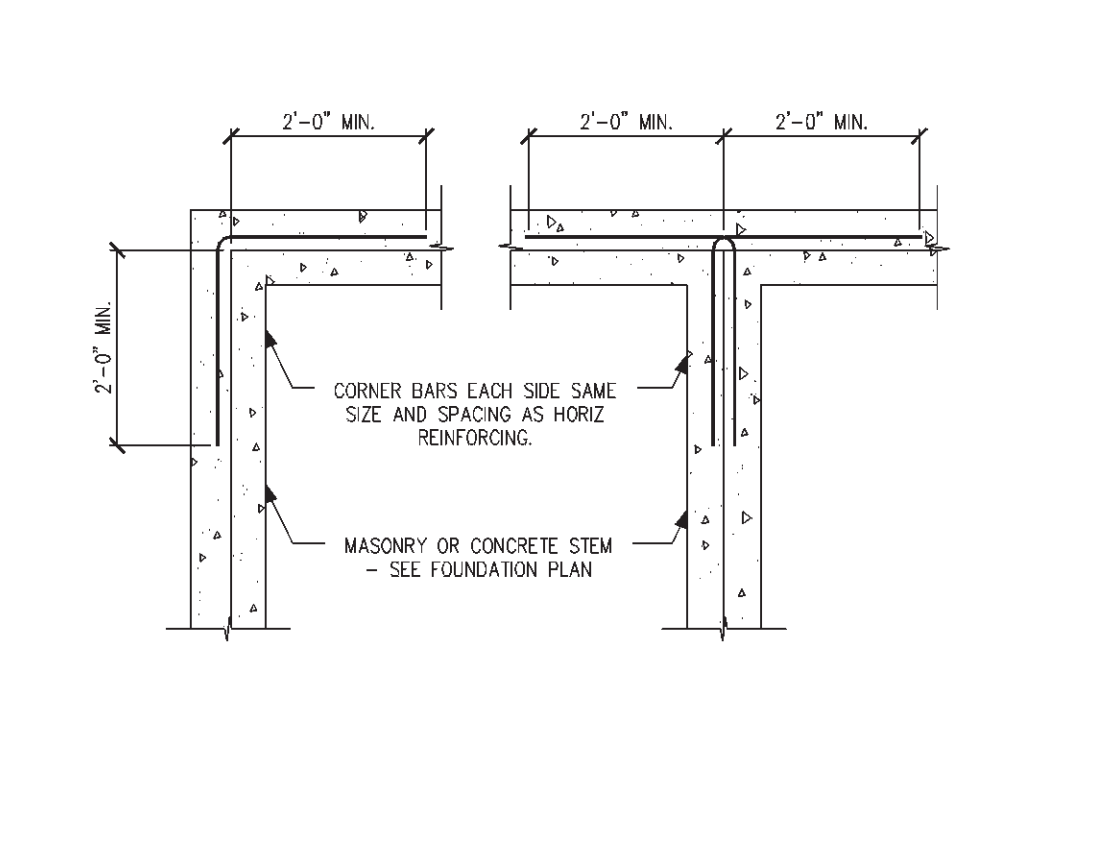
15 ZERO-CLEAR FIREPLACE



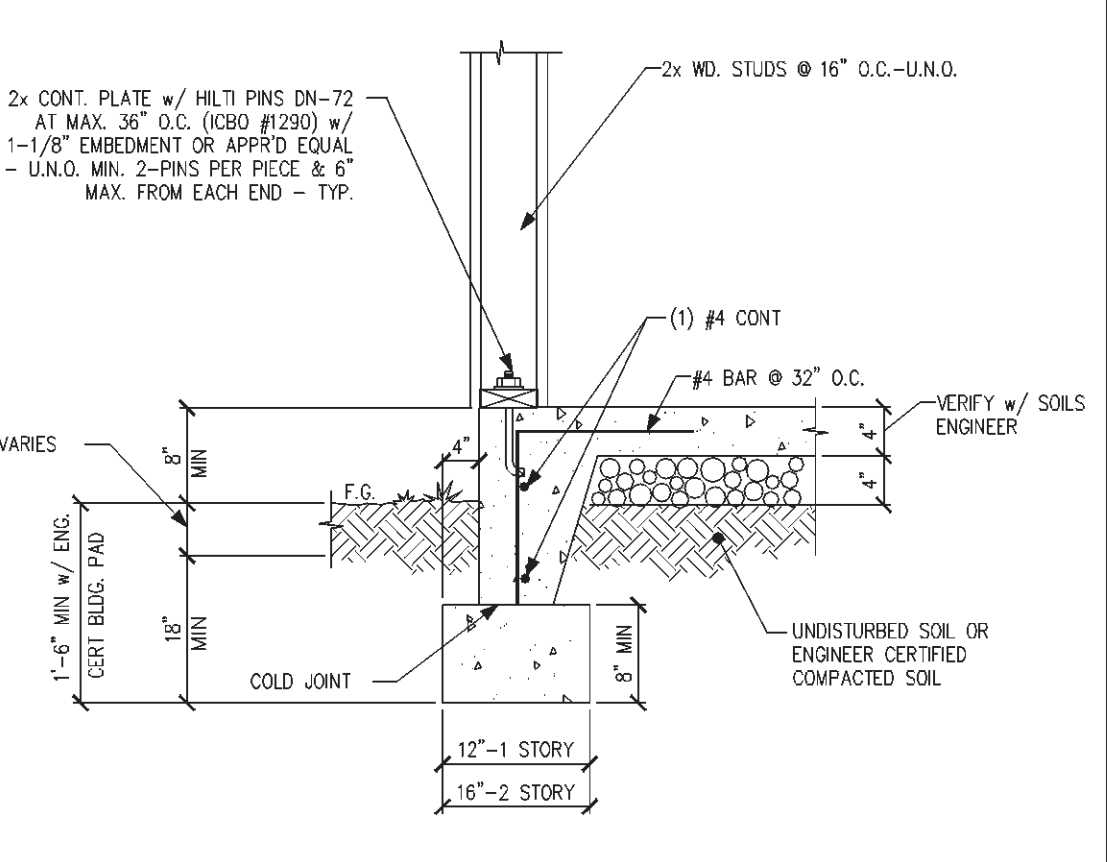
16 TRENCHING @ EXTERIOR WALLS



17 PIPE PENETRATION AT STEM WALL



18 STEM WALL REINFORCING DETAIL



19 EXT. WALL TURNDOWN FTG. (ALT)



20

THE TECTONE COMPANY  
 ARCHITECTURAL DRAFTING SERVICES  
 8221 E. CORABELL CIR., MESA, AZ 85208  
 PH. (602) 357-1858 FAX (602) 357-1859H. (480) 775-7273 FAX (480) 775-7274

FOUNDATION DETAILS  
 SHEET CONTENT:

PROJECT NO.: RH99-0722  
 DRAWN BY: STEVE PREUSS  
 DATE: 25 OCT 99  
 REVISIONS

Rev.	DATE:
1	
2	
3	
4	

PLAN  
1967

SHEET  
SD1