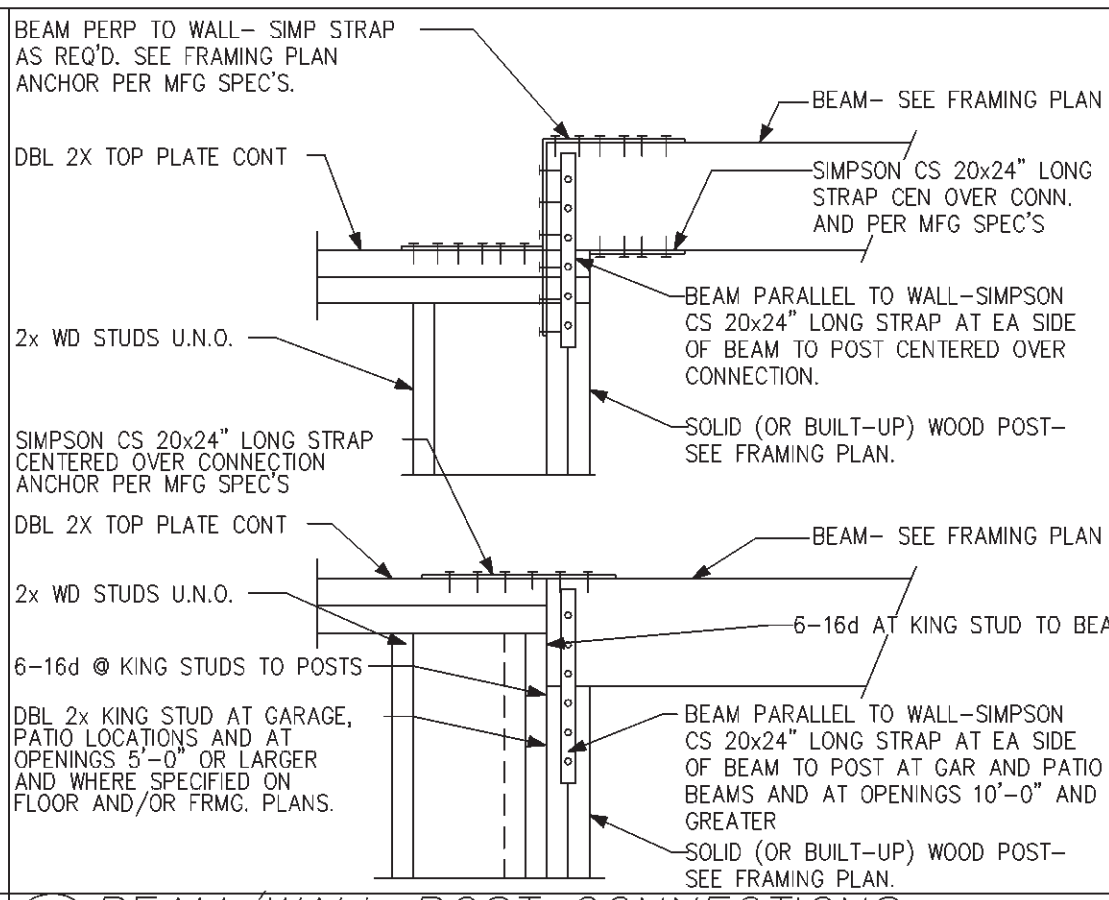
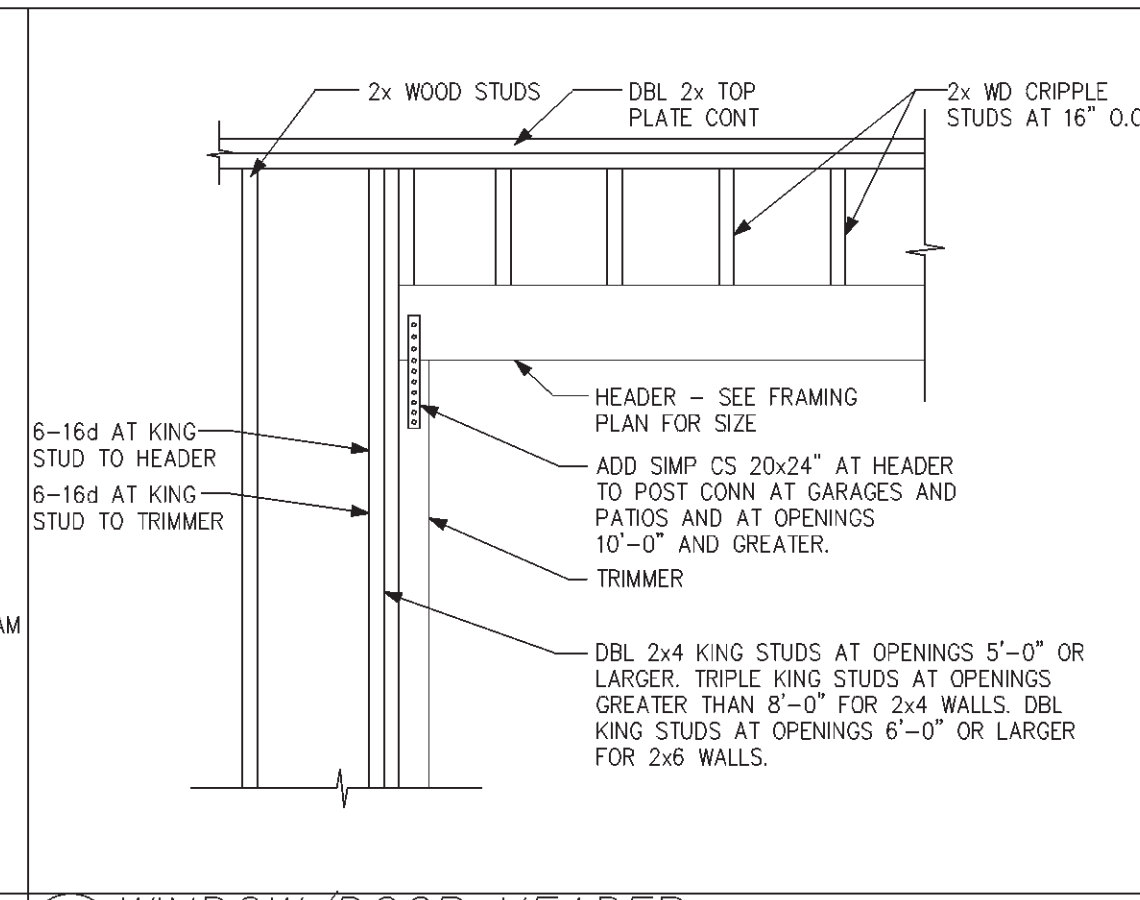


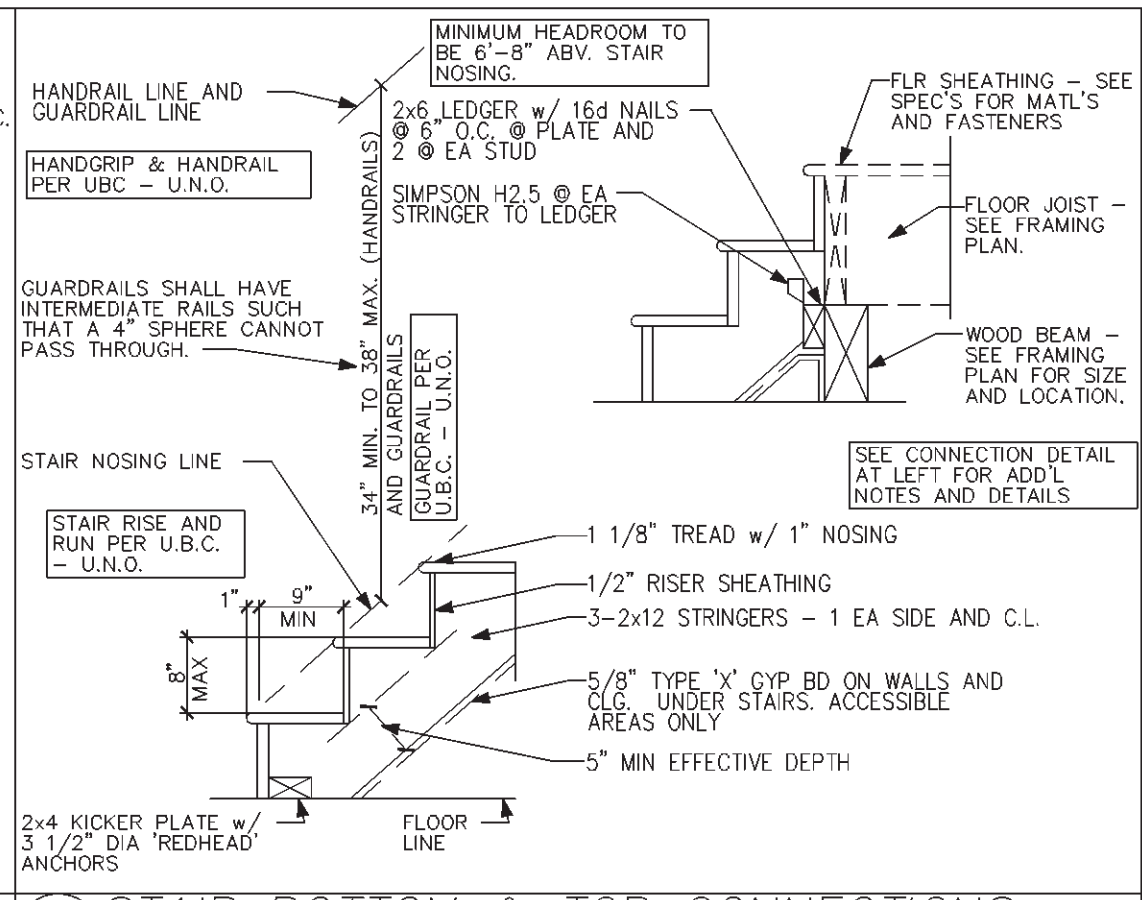
1 BEAM/POST CONNECTIONS



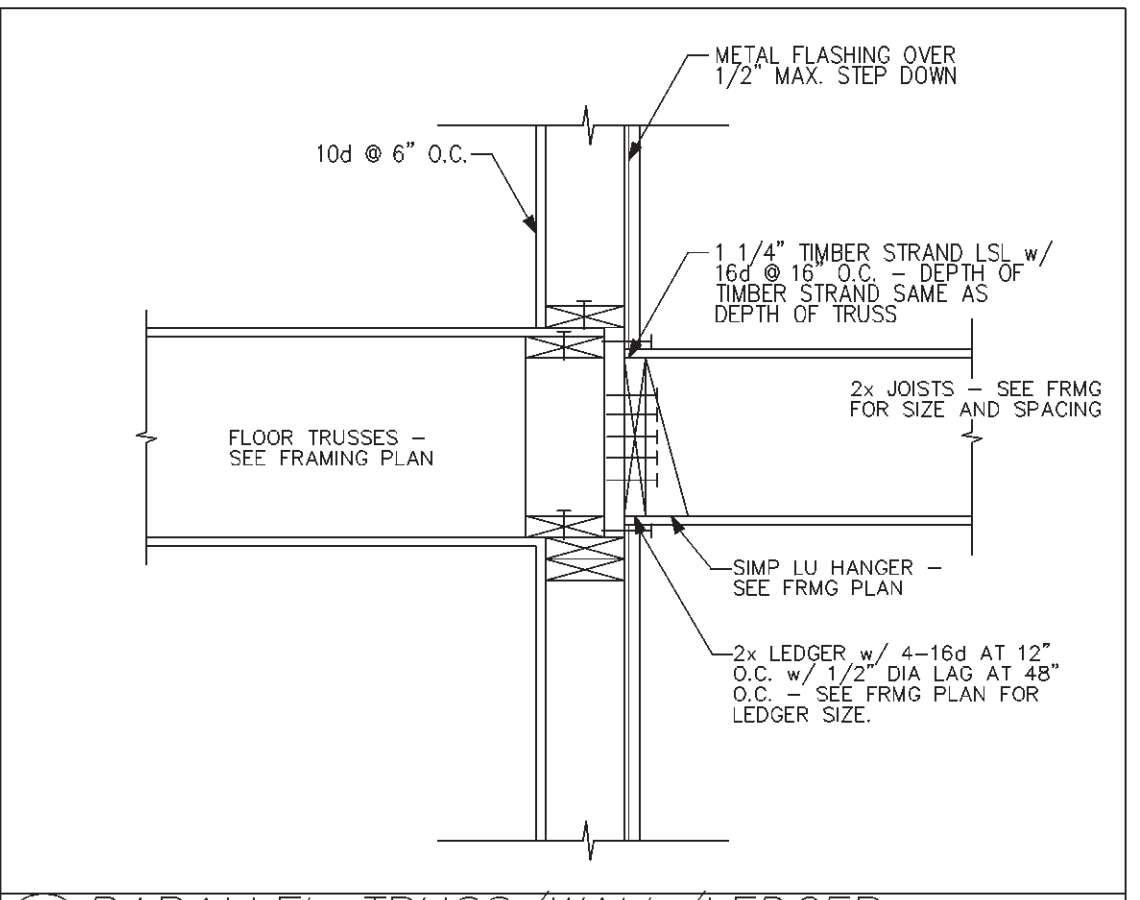
2 BEAM/WALL POST CONNECTIONS



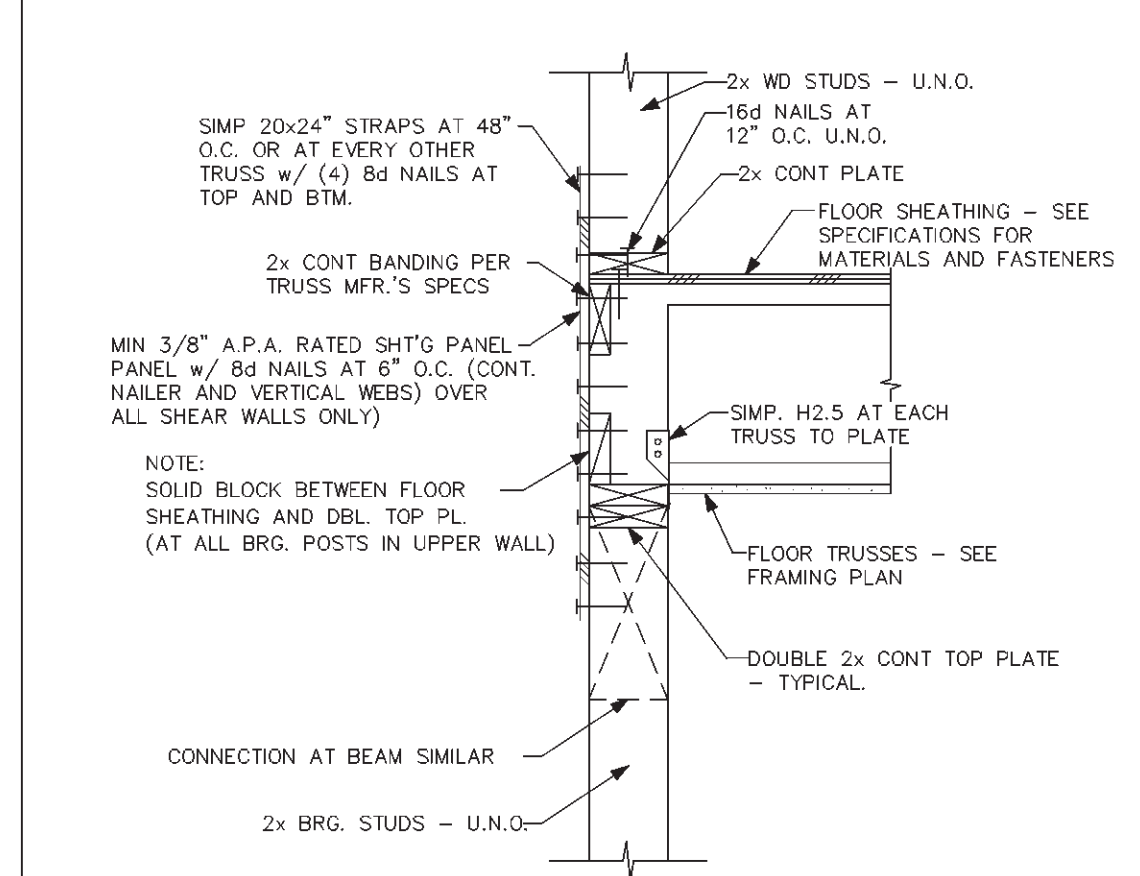
3 WINDOW/DOOR HEADER



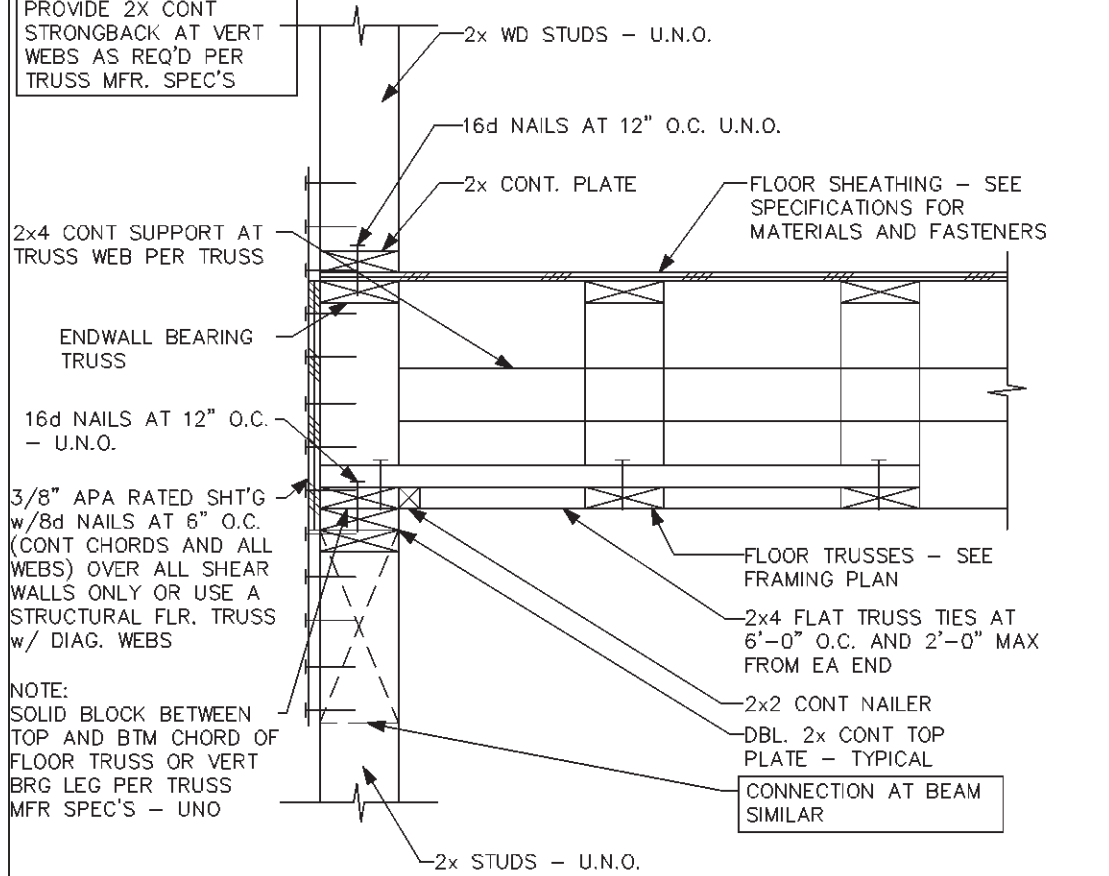
4 STAIR BOTTOM & TOP CONNECTIONS



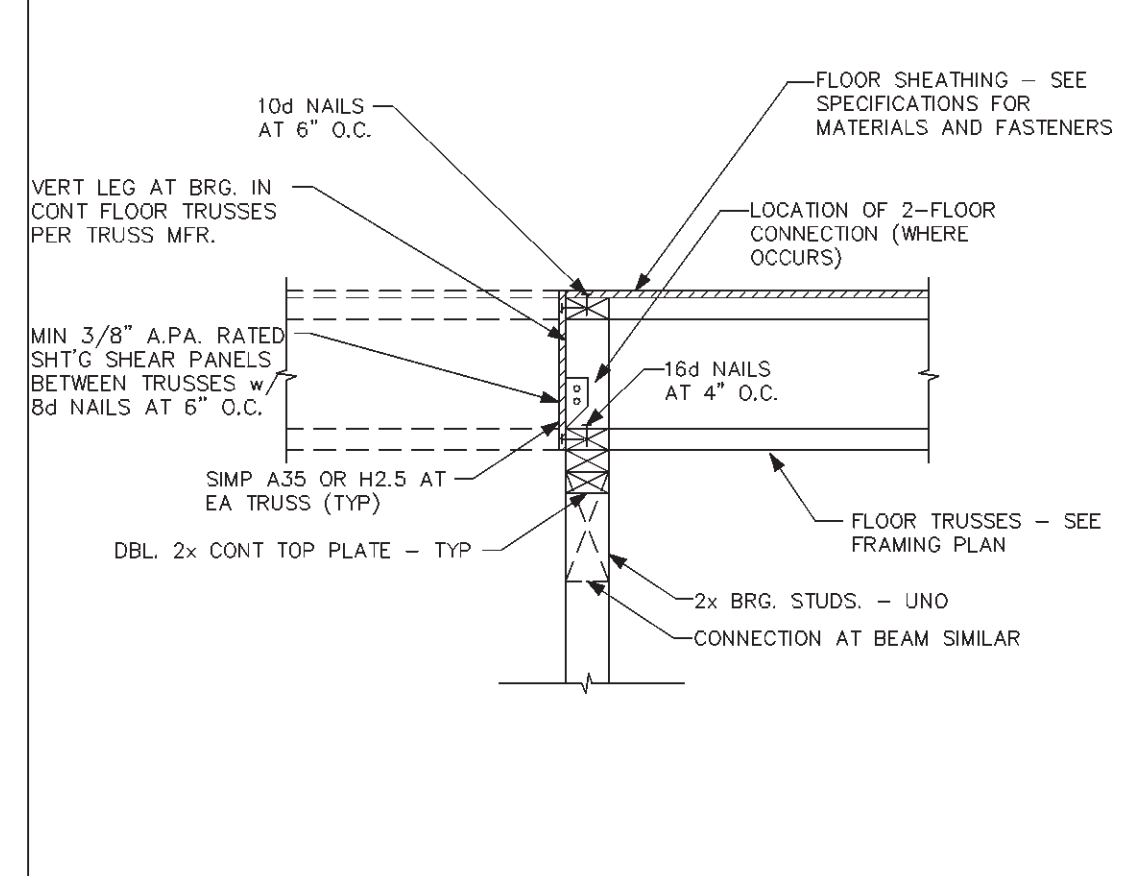
5 PARALLEL TRUSS/WALL/LEDGER



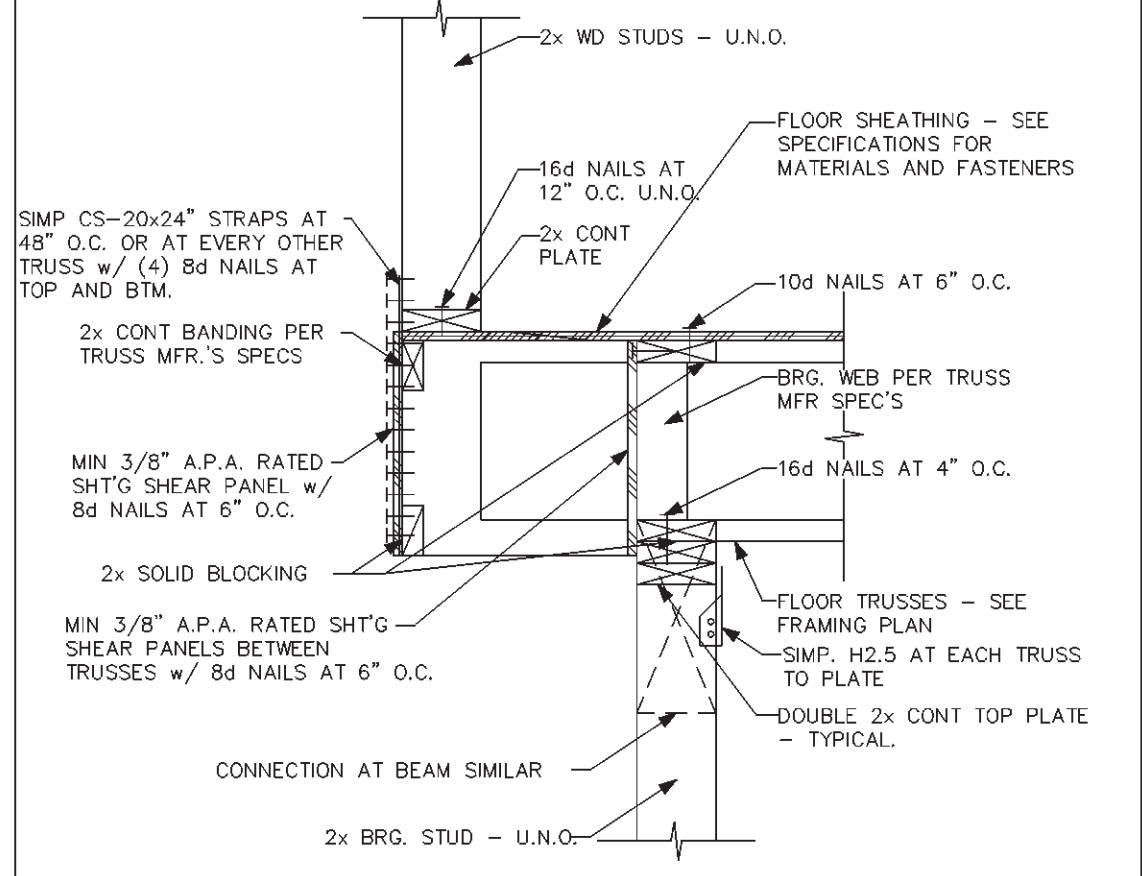
6 PERP FLOOR TRUSSES/WALL (BM. SIM.)



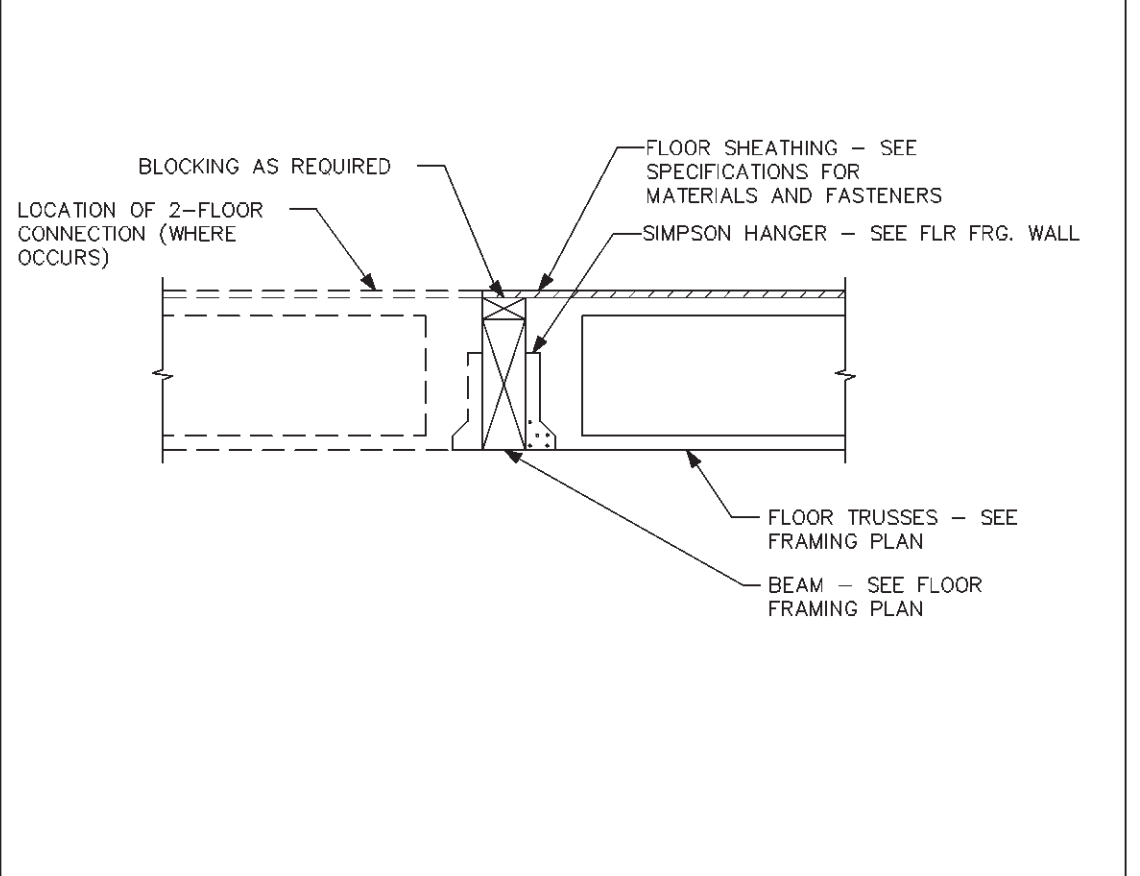
7 PAR. FLOOR TRUSSES/WALL (BM. SIM.)



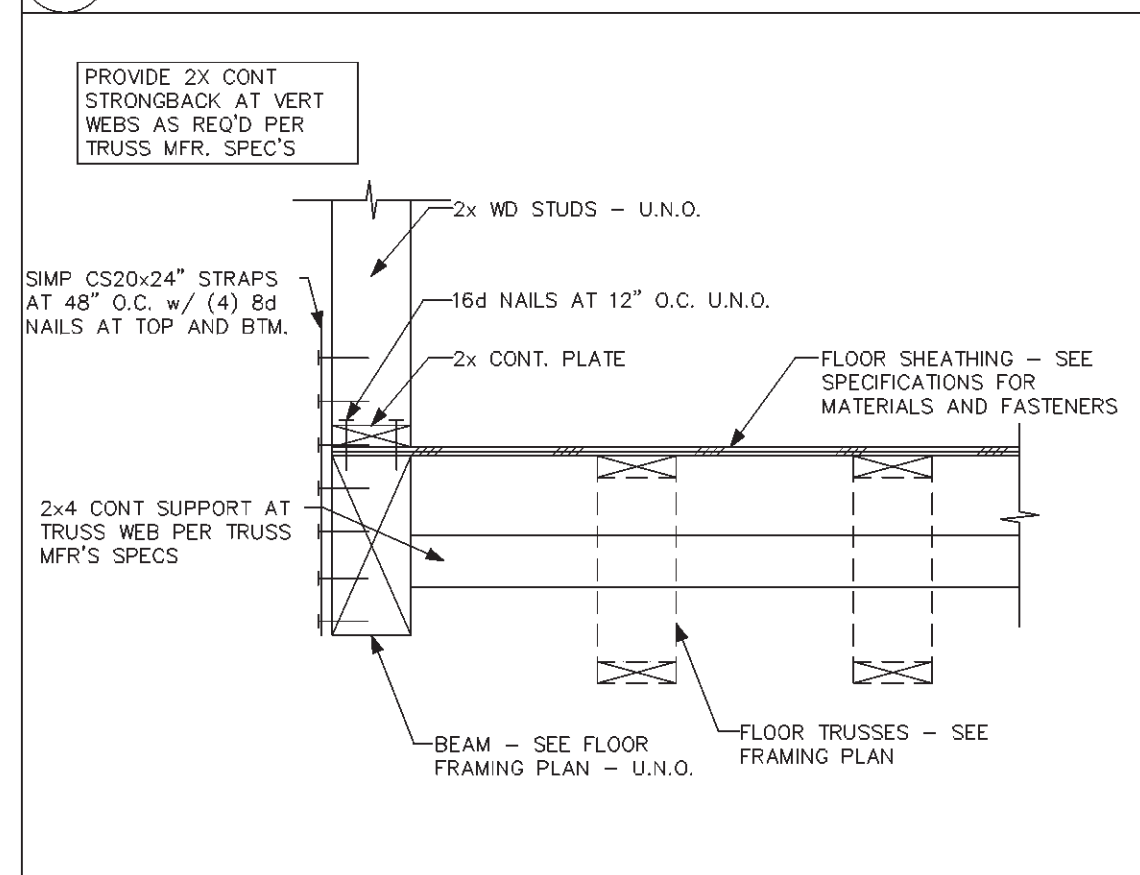
8 FLOOR TRUSSES/WALL (BM. SIM.)



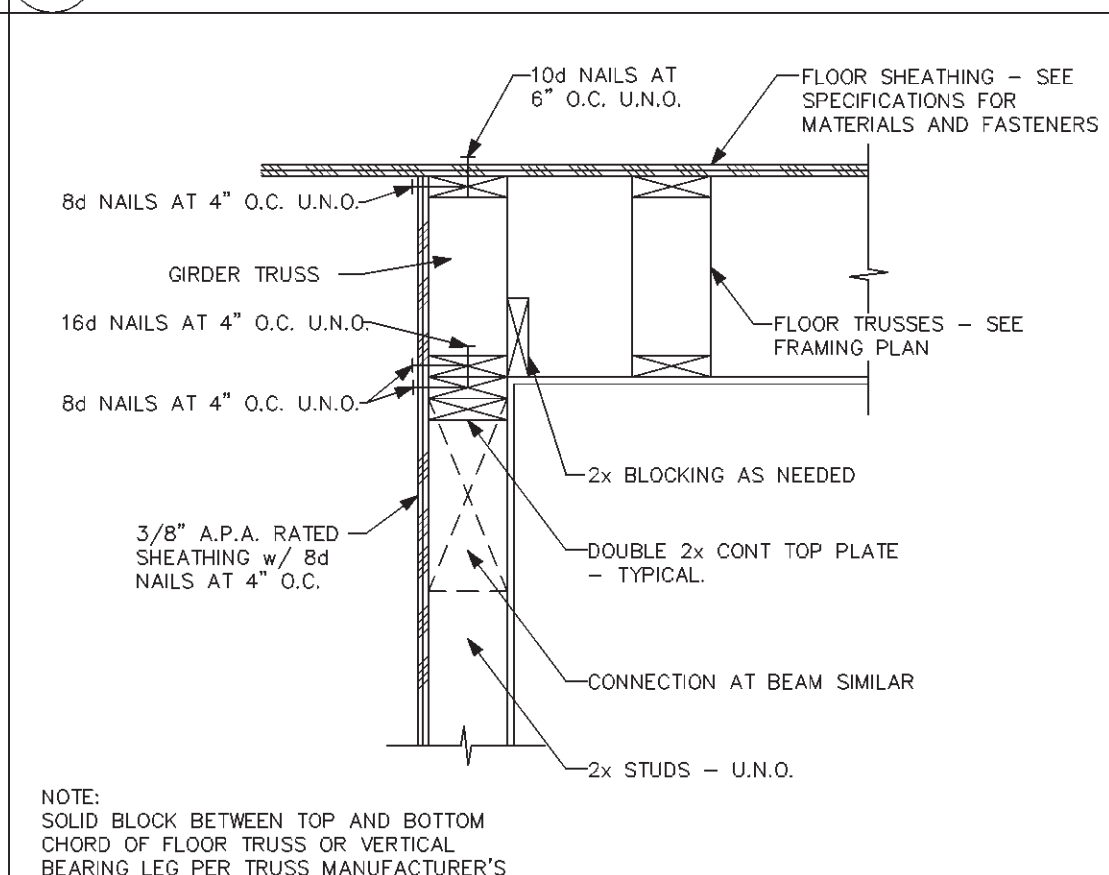
9 CANT. FLR. TRUSSES/WALL (BM. SIM.)



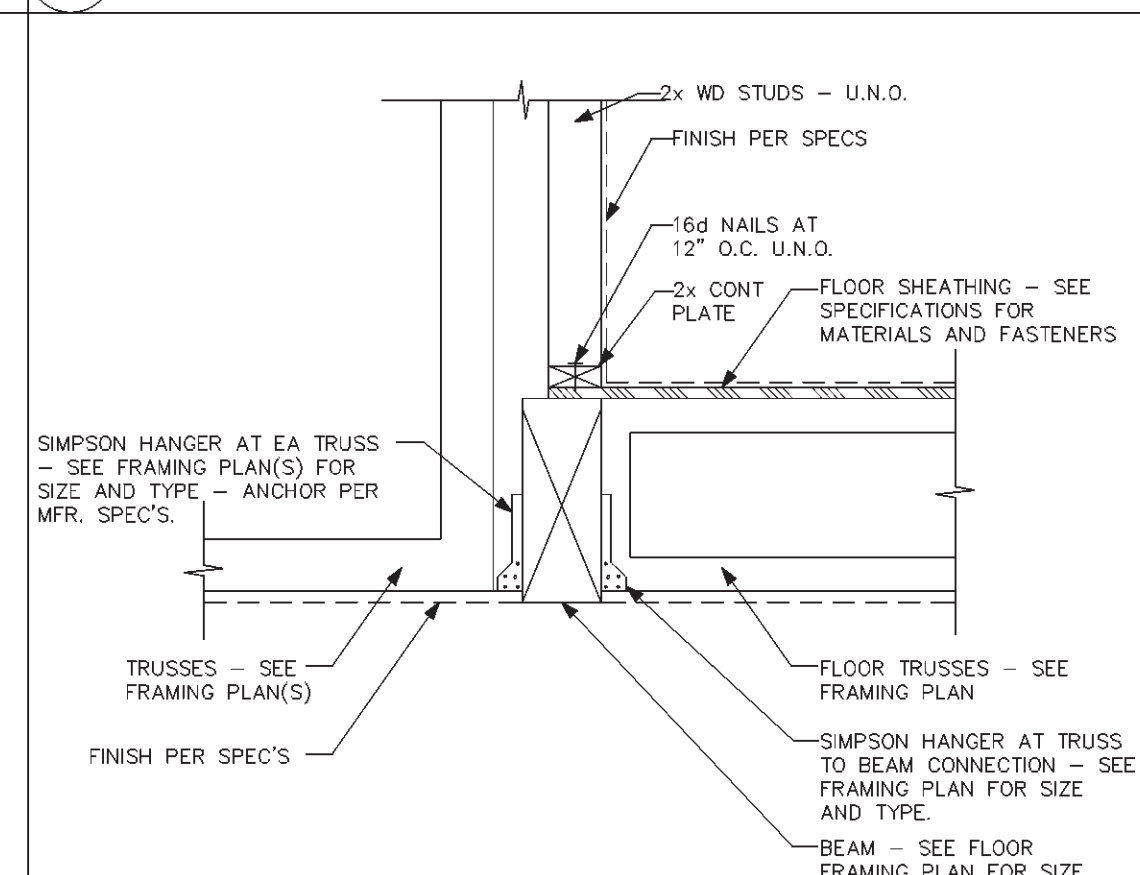
10 FLOOR TRUSSES/BEAM (HANGING)



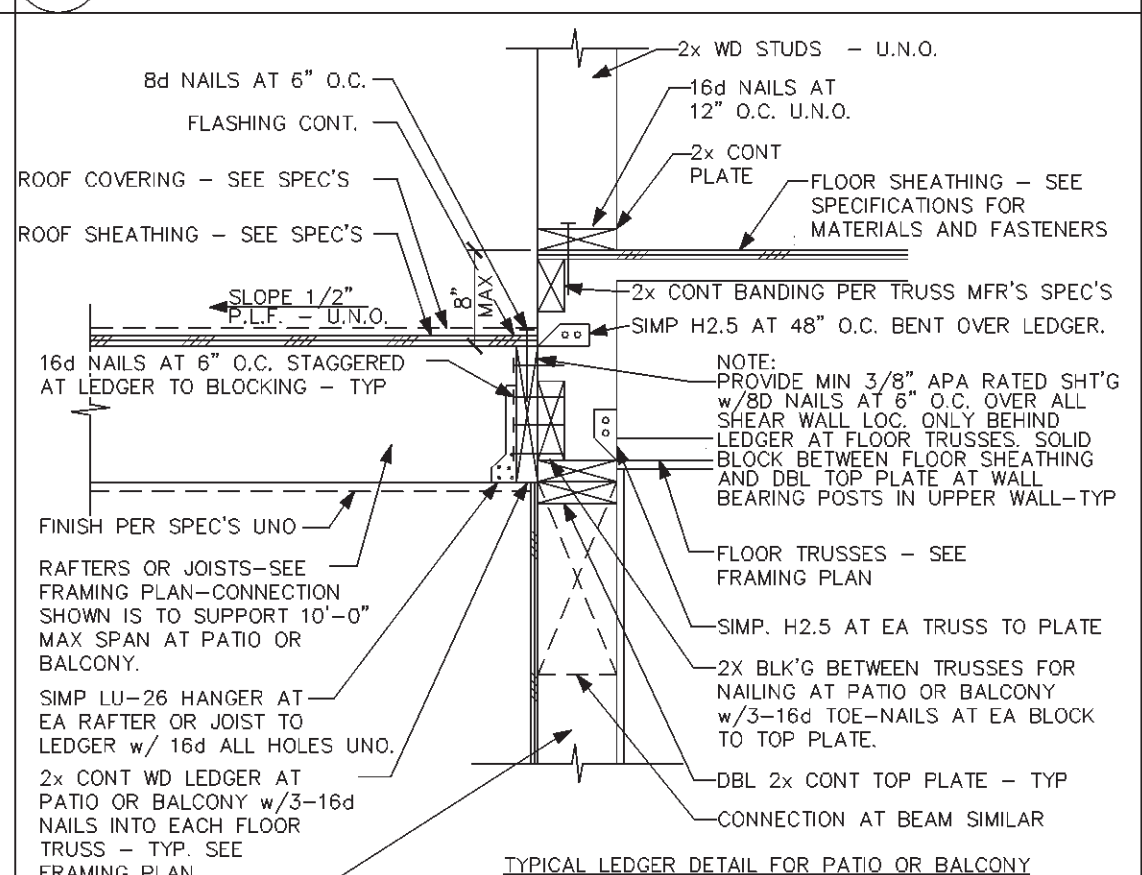
11 PARALLEL FLOOR TRUSSES/BEAM



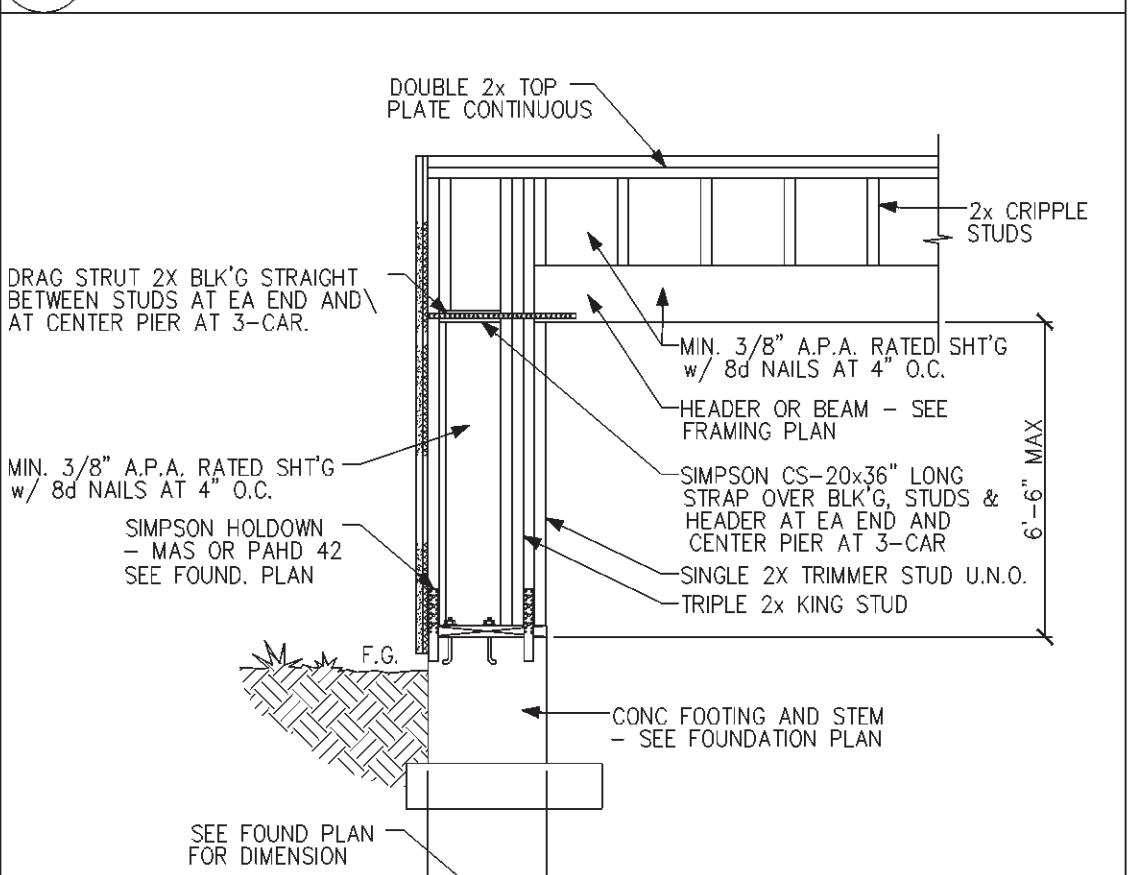
12 FLOOR/SHEAR WALL TRANSFER



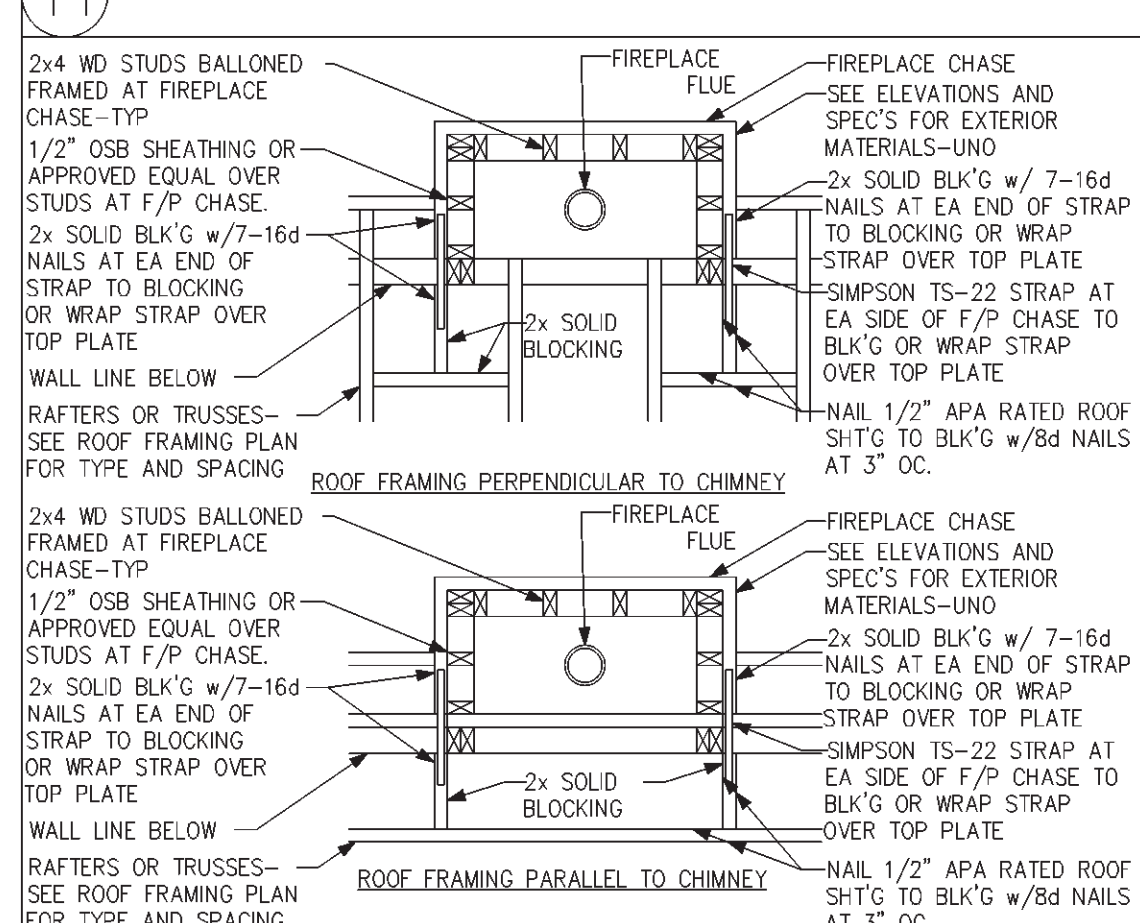
13 ROOF TRUSS/FLOOR TRUSSES/BEAM



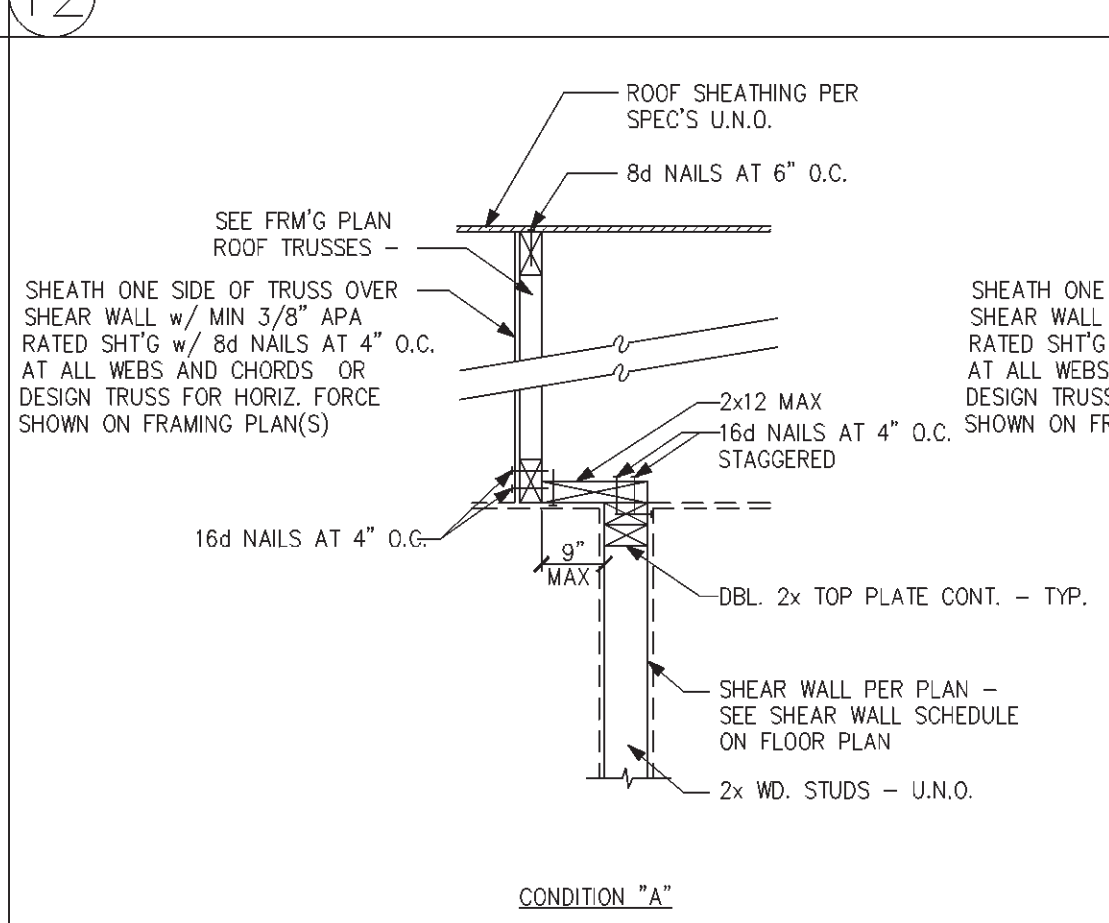
14 PERP TRUSSES/LEDG./RAFT OR JOISTS



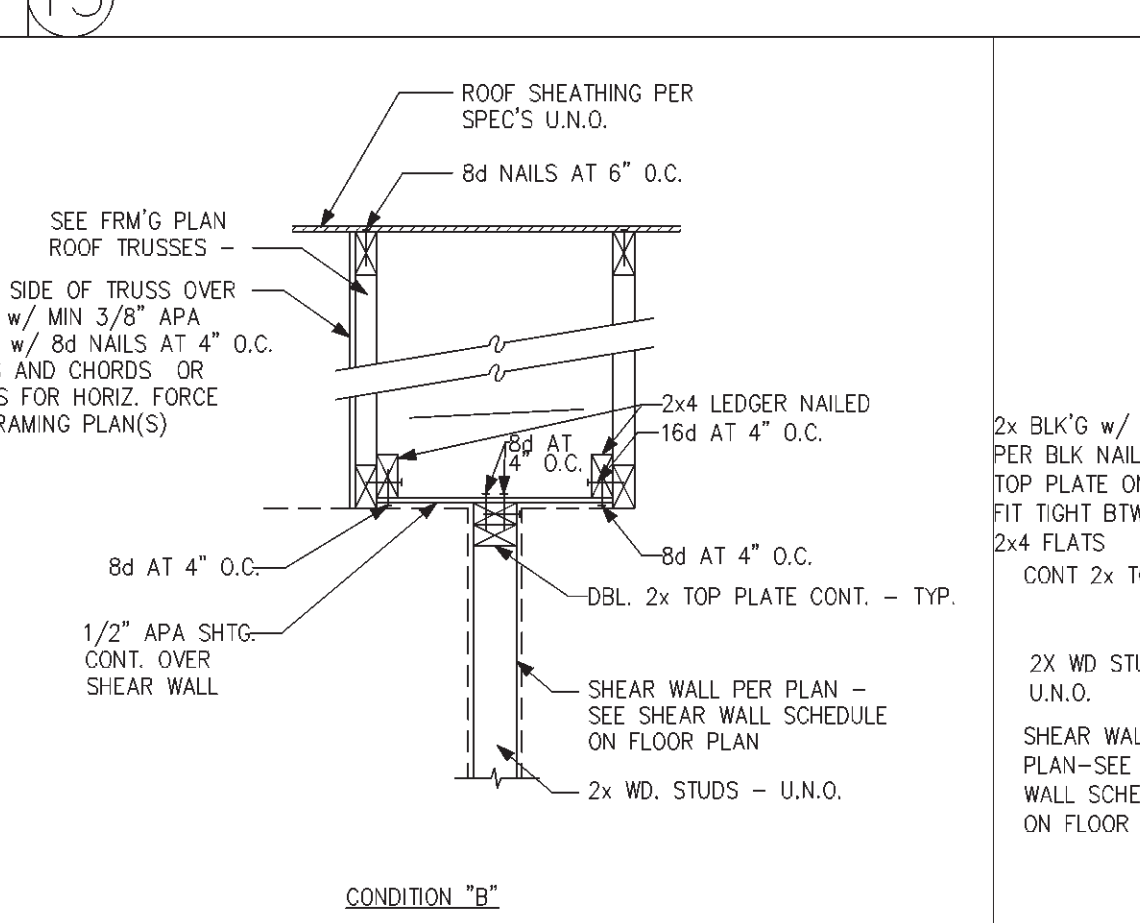
15 TYPICAL DRAG STRUT DETAIL



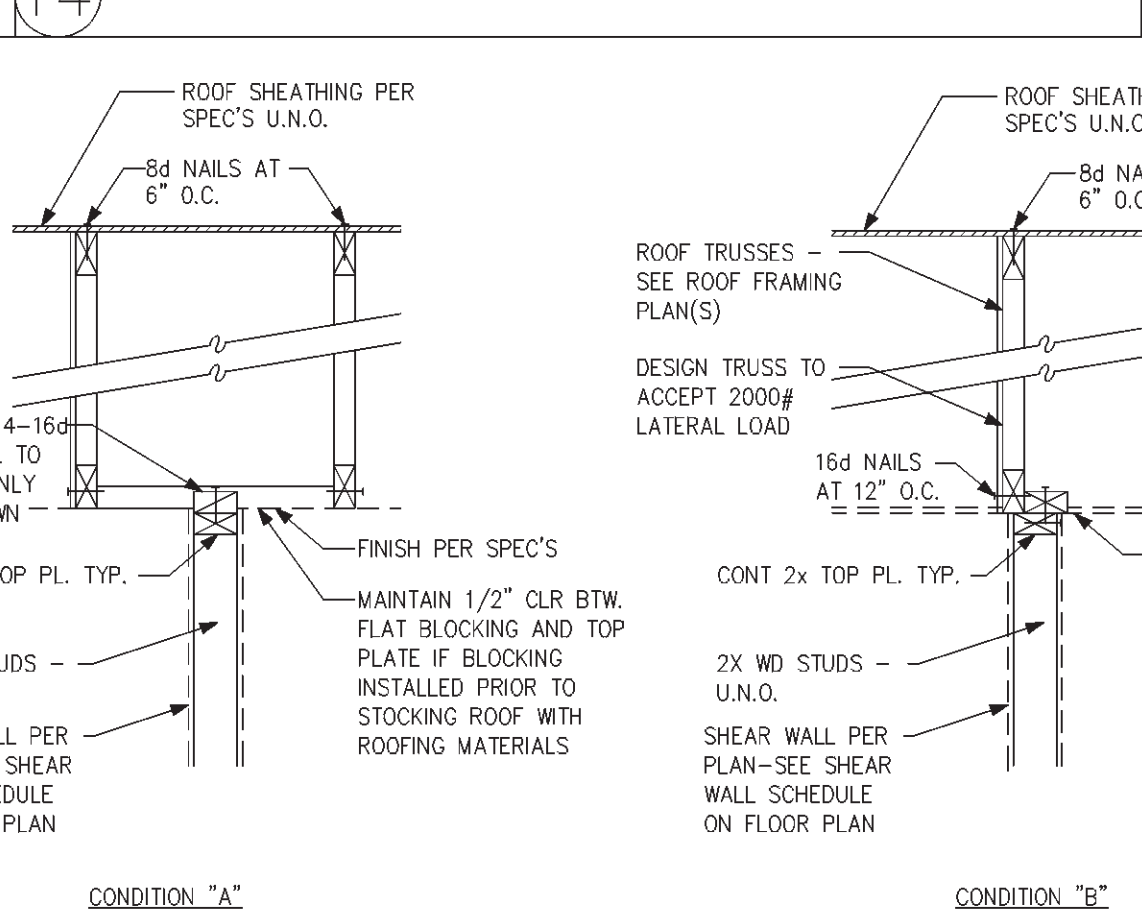
16 TYP. FIREPLACE CHIMNEY/ROOF DIAPHRAM



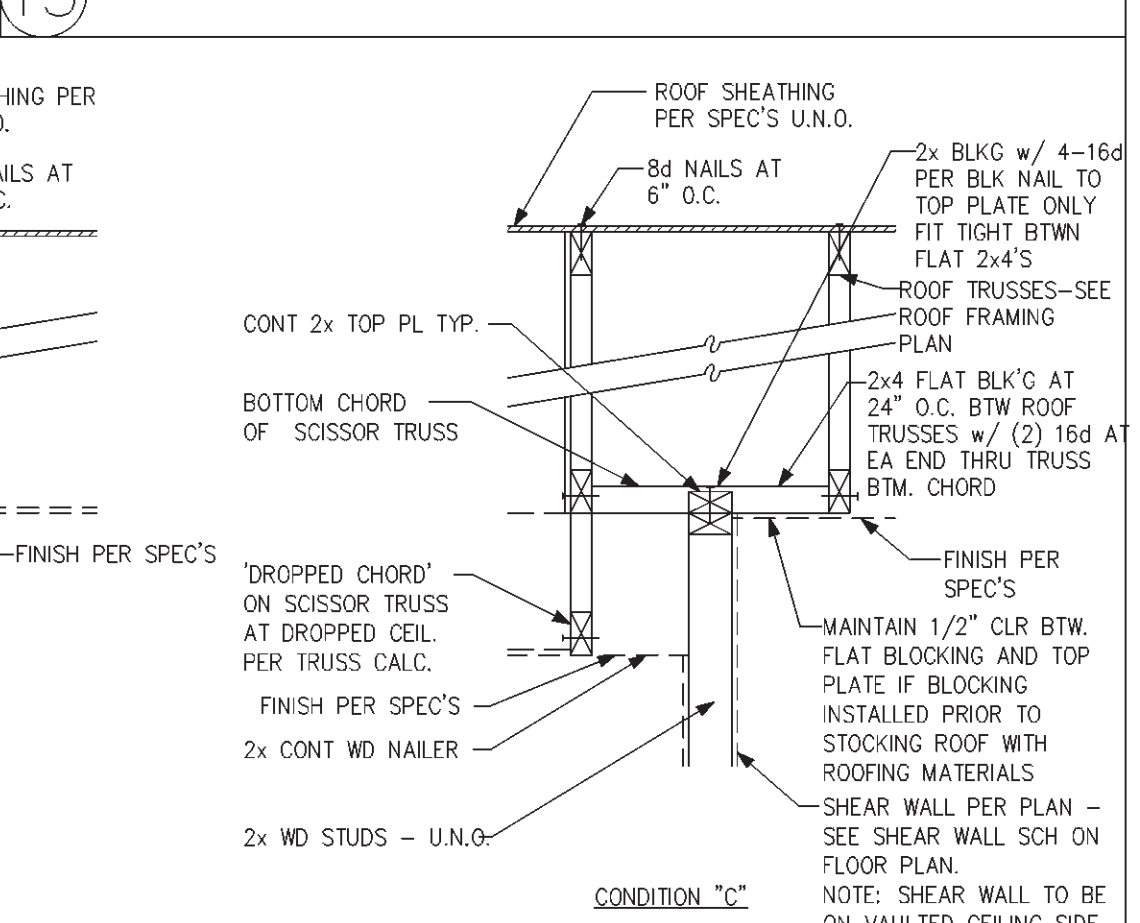
17 TRUSSES/WALL/SHEAR TRANSFER CONDITIONS



18 TRUSSES/WALL/TYPICAL SHEAR TRANSFER CONDITIONS



19 TRUSSES/WALL/TYPICAL SHEAR TRANSFER CONDITIONS



20 TRUSSES/WALL/TYPICAL SHEAR TRANSFER CONDITIONS

DRAWN BY: [i] PLAN  
RE/DATE: 3-24-99

| REV. | DATE |
|------|------|
| 1    |      |
| 2    |      |
| 3    |      |
| 4    |      |
| 5    |      |
| 6    |      |

PLAN #  
3402

SHEET No.  
SD3  
15 OF 15